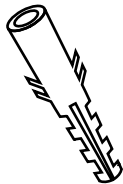


Following these mounting instructions with the hardware included will be more than sufficient to support wall mounted installation.

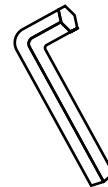
#### Included Installation Hardware



x2 screw

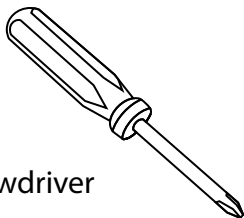


x2 wall anchor

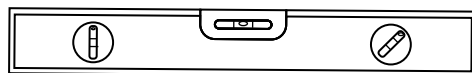


x1 allen wrench

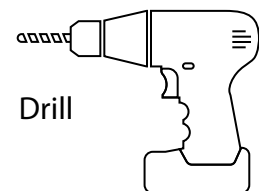
#### Tools You May Need



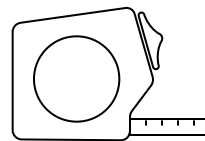
Screwdriver



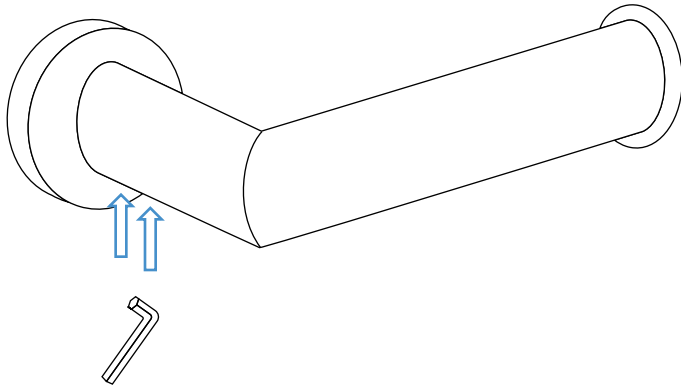
Level



Drill



Tape Measure



## 1. Disassemble

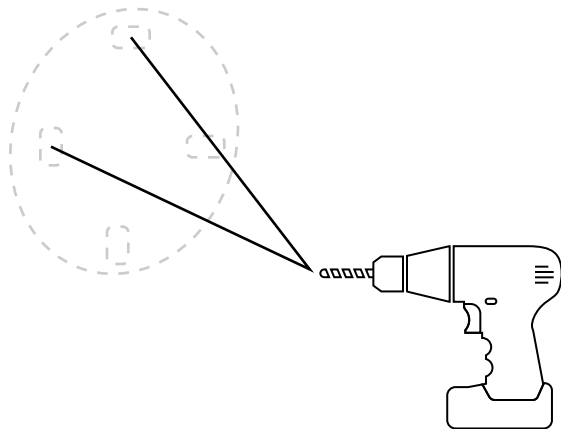
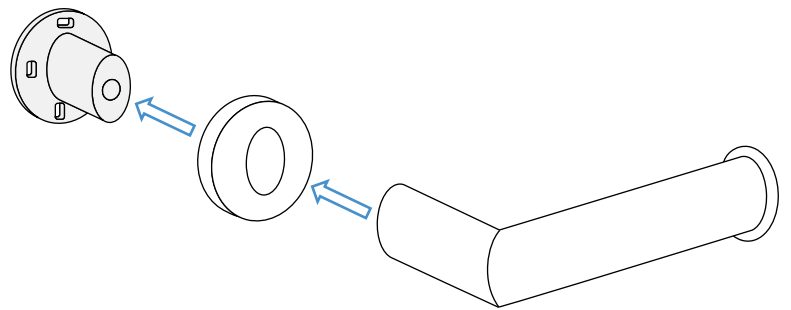
---

Put the included allen wrench into the two screws on the bottom of the body and turn clockwise to disassemble the base from the mounting piece.

## 2. Remove Bracket

---

Pull mounting bracket from toilet paper holder.



## 3. Drill Anchor Holes

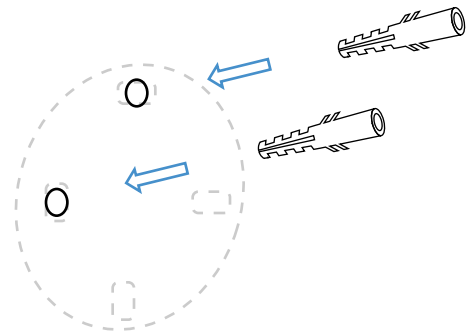
---

Identify installation location. Mark mounting bracket on wall and drill holes the size of the anchors.

## 4. Install Anchors

---

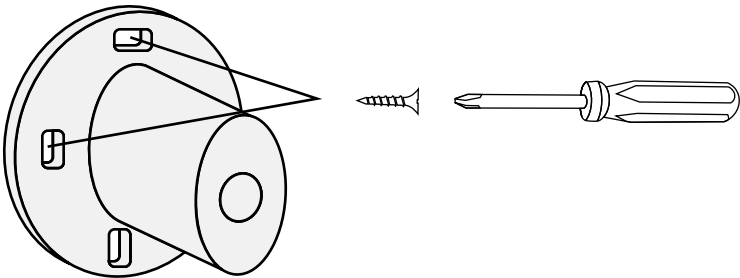
Tap anchors into predrilled holes.



## 5. Mount Bracket

---

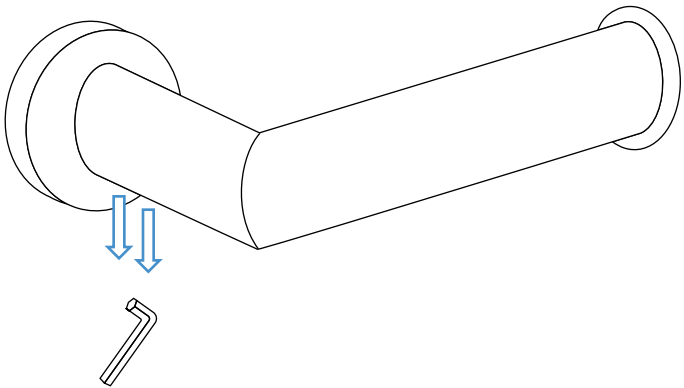
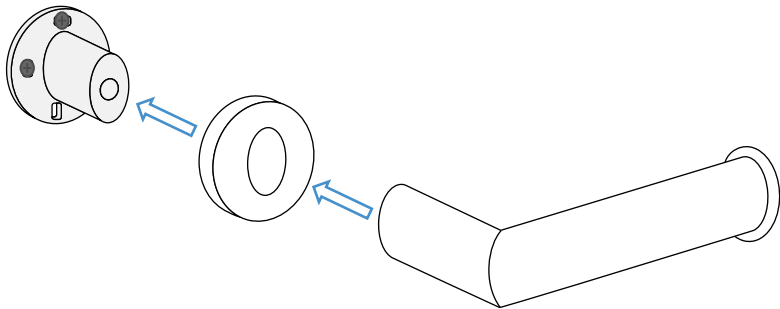
Mount bracket with screws.



## 6. Mount Paper Holder

---

Install toilet paper holder over mounting bracket.



## 7. Tighten Screws

---

Tighten two (2) screws with allen wrench included by turning counterclockwise.