

Prior to Installation:

This item is recommended to be installed by a licensed plumber or professional only. Please ensure to observe all local and building code requirements. Shut off water supply prior to installation.

Included Installation Hardware



x2

flexible
hose



x1

rubber
washer



x1

metal
washer



x1

nut



x1

rubber
gasket



x1

flange

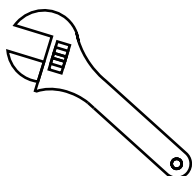


x1

threaded
shaft

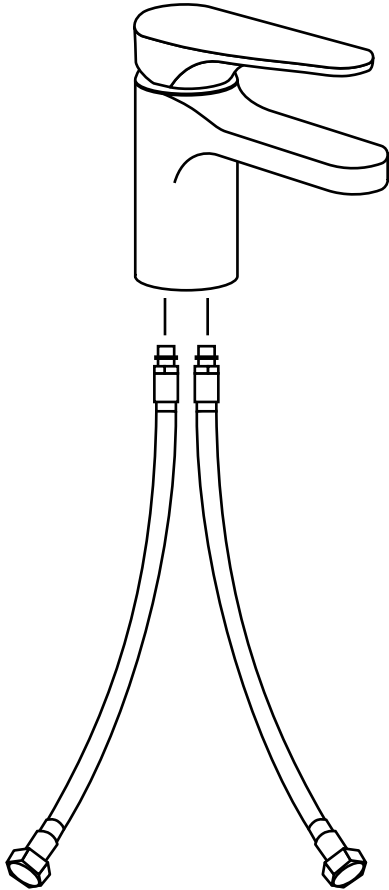
Tools You May Need

Wrench



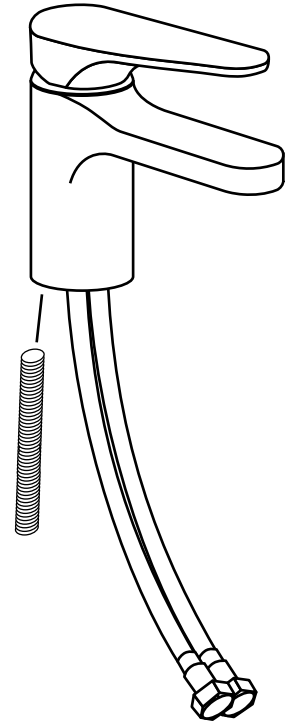
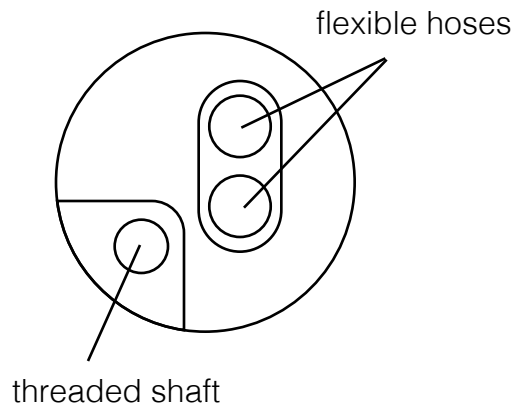
1. Install Supply Lines

Press firmly and screw in the flexible hose water supply lines. Tighten with fingers.



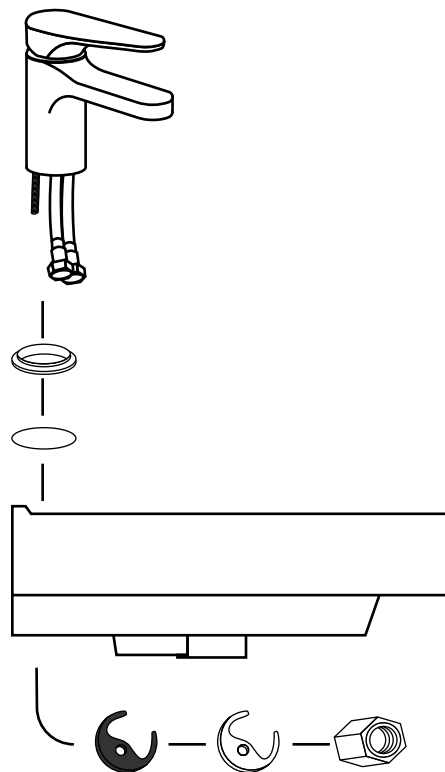
2. Screw In Threaded Shafts

Screw in the threaded shaft. Tighten with fingers.



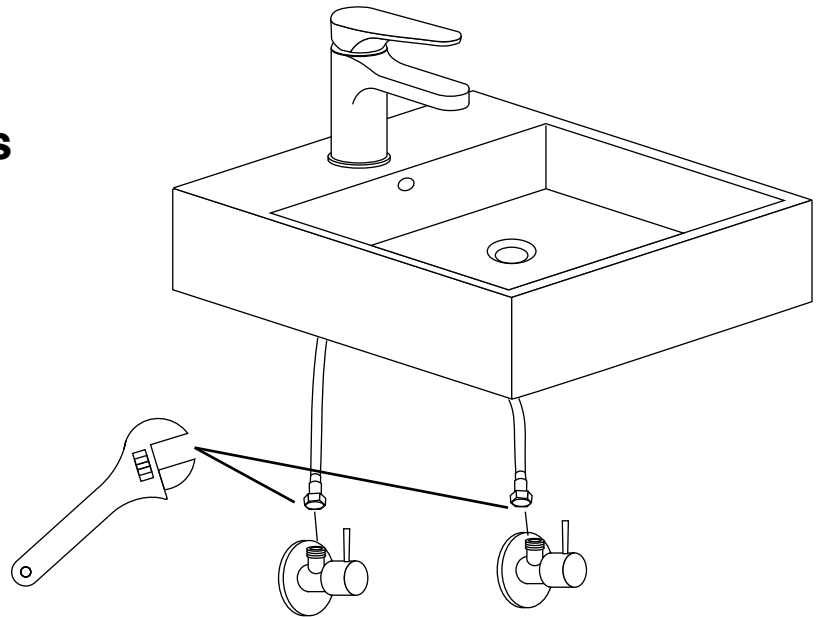
3. Mount Faucet To Sink

Place the hoses and shaft through flange. Then insert the gasket into the flange and put through the faucet hole in the sink. Position the rubber and metal washers on the shaft. Tighten faucet to sink with the nut. Tighten with a wrench. Overtightening will cause ceramic sinks to chip.



4. Connect Supply Lines

Finish the faucet installation by connecting the house's hot and cold water lines to the faucet's supply lines. Usually faucet's supply line will connect to angle stop valves. Tighten with a wrench.



5. Sink Accessories

If needed, complete your sink installation by adding the preferred plumbing accessories, such as a click clack drain and p-trap.

