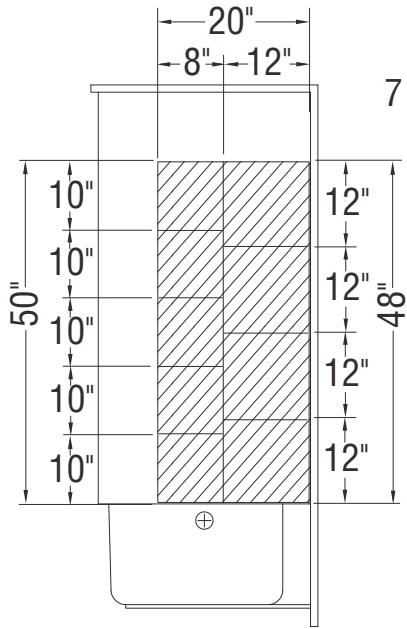
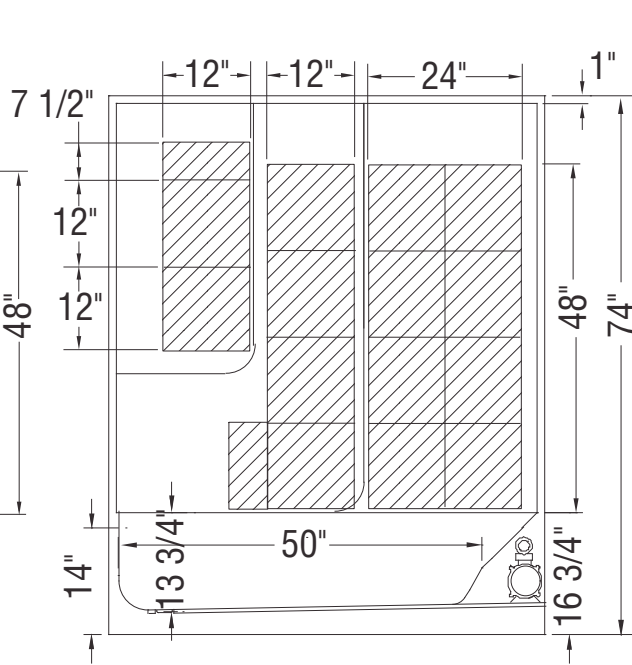


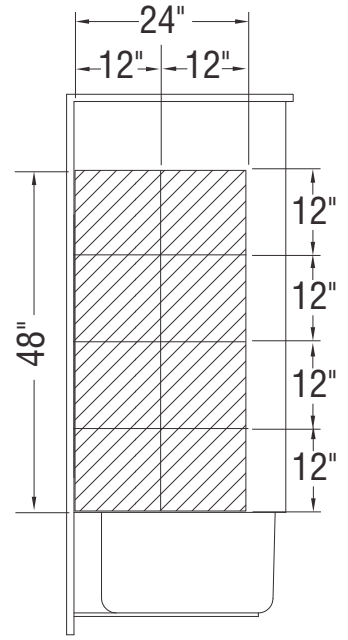
Full Wall Reinforcement Shown



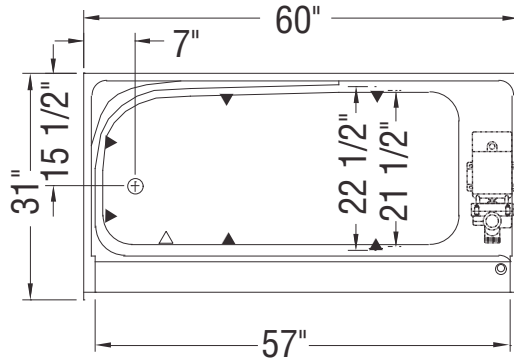
LEFT WALL Reinforcement



BACK WALL Reinforcement



RIGHT WALL Reinforcement



(▲): Indicates Whirlpool jets positioning

(△): Indicates suction positioning

All dimensions are approximate. Structure measurements

must be verified against the unit to ensure proper fit.