

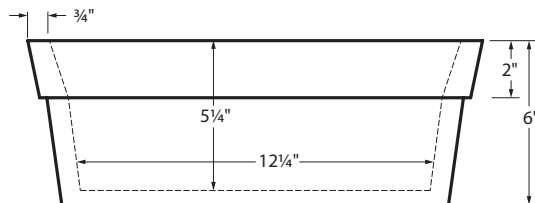
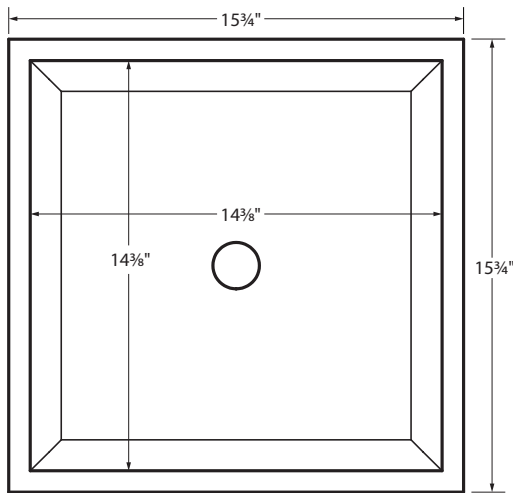


Continuum Square

MODEL 761
15.75" x 15.75" x 6"
SEMI-RECESSED
SculptureStone®
26 lbs / 12 kg

About Continuum sink:

- Designed by Matthew Quinn, Continuum is a semi-recessed sink that utilizes the countertop hole cut-out inside the sink bowl.
- This design enables the striations of the counter material to visually continue through the sink, as shown in the photos below.



Provided template ships with sink.
Always measure sink on-site to ensure cut-out accuracy.

Sink Options and Pricing

Part #: MTCS761 \$1,425

Standard Color White, matte finish

Biscuit Color Upgrade (SSBISNK) \$120 matte finish

Additional material colors available for projects only. Please call MTI.

Hand-Polished Deep Gloss Finish Upcharge (SSGLOSSSNK3) \$715

For White or Biscuit

Exterior Color \$340 (SSCOLSG) Gloss (SSCOLSM) Matte

Must specify color code:

Sapphire Blue (SB), Blue Lagoon (BL), Terracotta (TC),
Onyx (OX), Stratus Gray (TG), Stormgray (SG)

Quick Ship (QSPRI3) \$255 reduces lead time

Please call for availability.

Options and Accessories

Drain Kits

Finger Touch Drain Without Overflow

Chrome (DKFGCN) **\$185**, Brushed Nickel (DKFGBNN) **\$190**

Grid Drain Without Overflow

Chrome (DKGDCN) **\$115**, Brushed Nickel (DKGDBNN) **\$180**

Fixed Drain Without Overflow

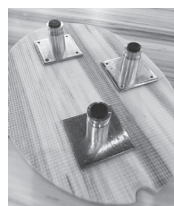
Chrome (DKFDC) **\$300**

ORDERING AND INSTALLATION

- 1.5" drain opening
- Provided template ships with sink. Always measure sink on-site to ensure cut-out accuracy.
- One-piece construction using Engineered SculptureStone® (ESS) material
- Non-porous, stain-, mold- and mildew-resistant.
- Material is approximately 70% organic
- Five-Year Limited Residential Warranty

IMPORTANT ORDERING AND INSTALLATION INFORMATION

- Top 2" sink rim designed to rest on counter.
- Sink may be used with or without countertop cut-out. Note: countertop material is not included.
- Provided adjustable leveling feet support the cut-out in the sink bowl and are included with sink as shown to the right.



Adjustable leveling feet.



Continuum shown above with countertop material installed.
Note: countertop material is NOT included with sink.

- Before discarding packaging, check for accessories that may be inside.
- All product measurements are $\pm 1/2"$.
- Specifications and configurations are subject to change without notice.
- Measurements herein supersede all others published prior to publication date below.

CSA # MTCS-761

©2023 by MTI Baths, Inc. Modification Rights Reserved