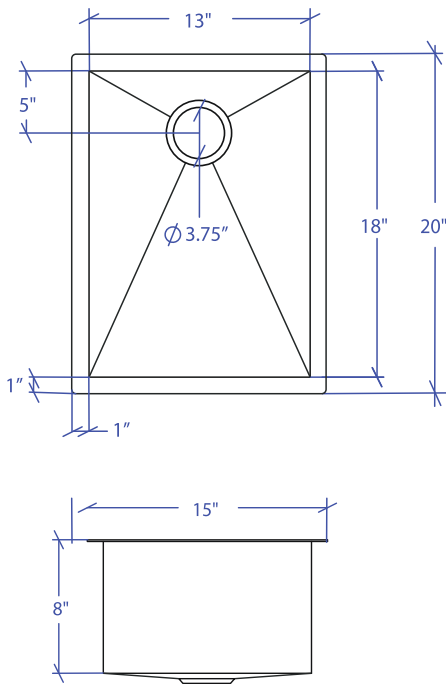


# FLATIRON MUS-801SB



\*Custom ADA compliant versions are available



## • FEATURES

16-gauge type 304 stainless steel  
90° zero radius design

## • TECHNICAL INFORMATION

External dimension: 15"Lx20"Wx8"D  
Basin dimensions: 13"Lx18"Wx8"D

## • FINISHES

Satin Brushed stainless steel

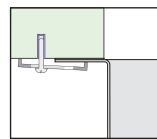
## • INSTALLATION OPTIONS

Top-mount  
Under-mount

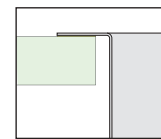
## • MINIMUM CABINET SIZE (I.D.)

Top-mount 16"  
Under-mount 18"

## • DUAL-MOUNT INSTALLATION

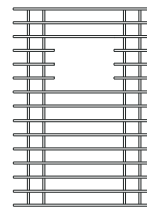


Under-mount

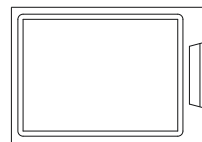


Top-mount

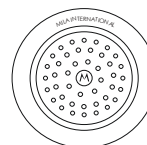
## • ACCESSORY OPTIONS



MBG-082SB  
Basin Grid



MCB-801BB  
Cutting Board



MKD-101SB  
Strainer

## PROJECT INFORMATION

Project			
Date	/ /	QTY	
Specifier			
Contact			
Note			