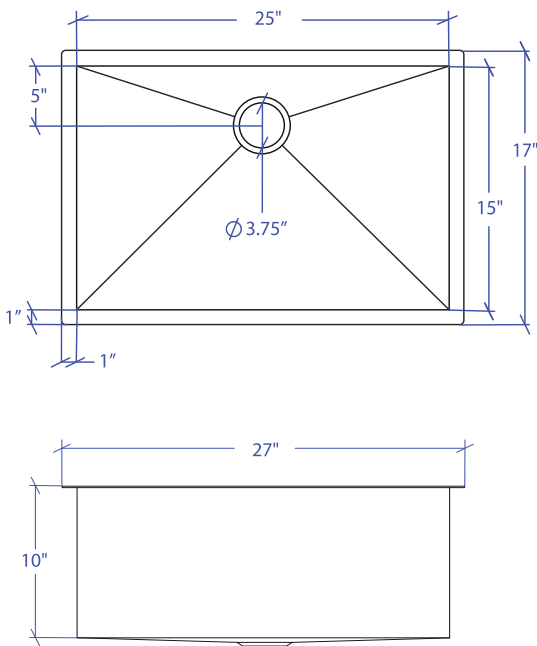


FLATIRON MUS-503SB



*Custom ADA compliant versions are available



• FEATURES

- 16-gauge type 304 stainless steel
- 90° zero radius design

• TECHNICAL INFORMATION

- External dimension: 27"Lx17"Wx10"D
- Basin dimensions: 25"Lx15"Wx10"D

• FINISHES

- Satin Brushed stainless steel

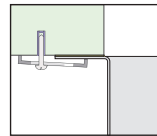
• INSTALLATION OPTIONS

- Top-mount
- Under-mount

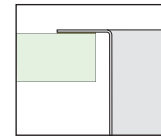
• MINIMUM CABINET SIZE (I.D.)

- Top-mount 28"
- Under-mount 30"

• DUAL-MOUNT INSTALLATION

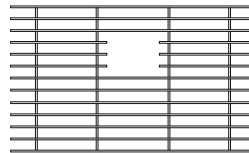


Under-mount



Top-mount

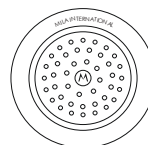
• ACCESSORY OPTIONS



MBG-055SB
Basin Grid



MCB-501BB
Cutting Board



MKD-101SB
Strainer

PROJECT INFORMATION

Project			
Date	/ /	QTY	
Specifier			
Contact			
Note			