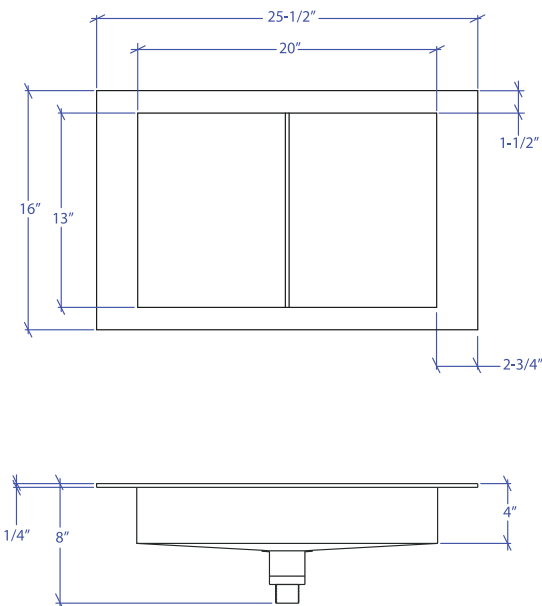


# ATELIER MTB-302SB



\*ADA compliant



## • FEATURES

16-gauge type 304 stainless steel  
TRI-MOUNT™ installation system

## • TECHNICAL INFORMATION

External dimension: 25.5"Lx16"Wx4"D  
Basin dimensions: 20"Lx13"Wx4"D  
Frame width: 2"/3"  
Frame thickness: 1/4"

## • FINISHES

Satin Brushed stainless steel

## • INSTALLATION OPTIONS

Flush-mount  
Top-mount

## • MINIMUM CABINET SIZE (I.D.)

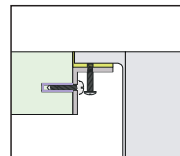
Flush-mount 28.5"  
Top-mount 27.5"

## • INDUSTRY'S ONLY STAINLESS STEEL SINK DESIGNED SPECIFICALLY TO BE FLUSH-MOUNTED

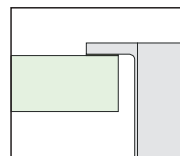
• U.S. PATENT NO. 9,988,799

• CANADIAN PATENT NO. 2579506

## • INSTALLATION

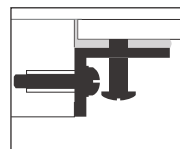


Flush-mount



Top-mount

## • ACCESSORY



MTK-116AL  
Mounting Kit

| PROJECT INFORMATION |     |     |  |
|---------------------|-----|-----|--|
| Project             |     |     |  |
| Date                | / / | QTY |  |
| Specifier           |     |     |  |
| Contact             |     |     |  |
| Note                |     |     |  |