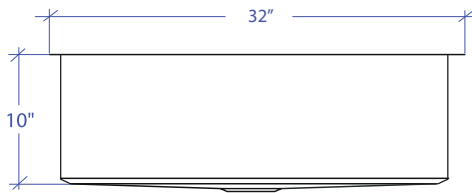
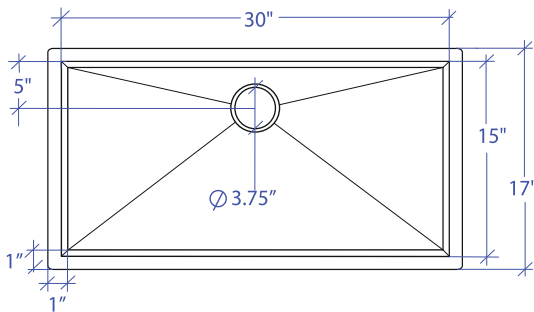


ORION MOUS-504GDSB

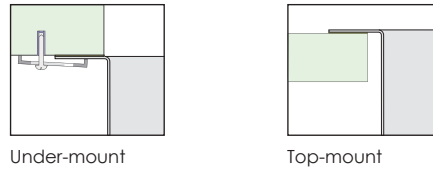


*Custom ADA compliant sinks are available

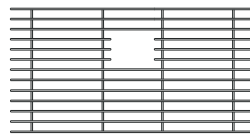


- FEATURES**
 16-gauge type 304 stainless steel
 Bevel basin design
- TECHNICAL INFORMATION**
 External dimension: 32"Lx17"Wx10"D
 Basin dimensions: 30"Lx15"Wx10"D
- FINISHES**
 Gold PVD Satin Brushed stainless steel
- INSTALLATION OPTIONS**
 Top-mount
 Under-mount
- MINIMUM CABINET SIZE (I.D.)**
 Top-mount 33"
 Under-mount 35"
- US DESIGN PATENT D618,324 S**

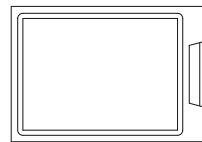
DUAL-MOUNT INSTALLATION



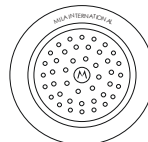
ACCESSORY OPTIONS



MBG-056GDSB
Basin Grid



MCB-501BB
Cutting Board



MKD-101GDSB
Strainer

PROJECT INFORMATION			
Project			
Date	/ /	QTY	
Specifier			
Contact			
Note			