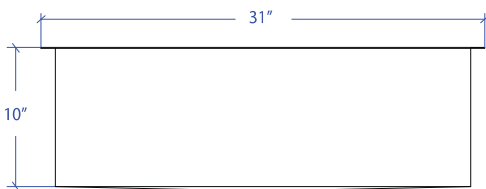
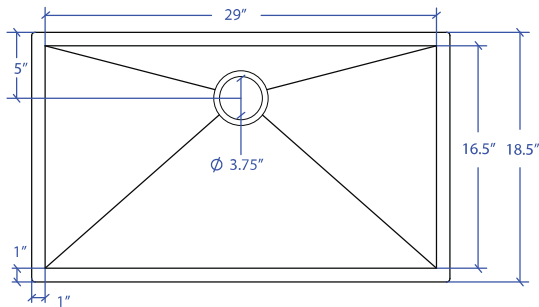


# FLATIRON MUS-655GPSB



\*Custom ADA compliant versions are available



## • FEATURES

16-gauge type 304 stainless steel  
90° zero radius design

## • TECHNICAL INFORMATION

External dimension: 31"Lx18.5"Wx10"D  
Basin dimensions: 29"Lx16.5"Wx10"D

## • FINISHES

Graphite PVD Satin Brushed stainless steel

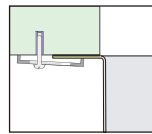
## • INSTALLATION OPTIONS

Top-mount  
Under-mount

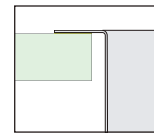
## • MINIMUM CABINET SIZE (I.D.)

Top-mount 32"  
Under-mount 34"

## • DUAL-MOUNT INSTALLATION



Under-mount



Top-mount

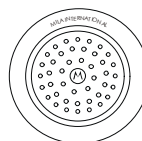
## • ACCESSORY OPTIONS



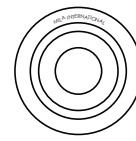
MBG-651GPSB  
Basin Grid



MCB-651BB  
Cutting Board



MKD-101GPSB  
Strainer



MDC-101GPSB  
Disposal Collar

PROJECT INFORMATION			
Project			
Date	/ /	QTY	
Specifier			
Contact			
Note			