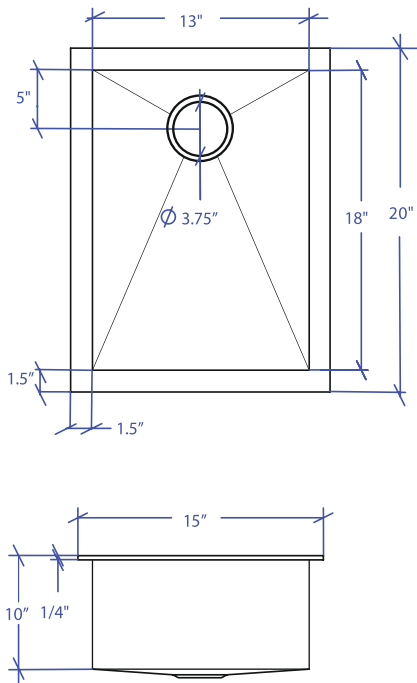


# ATELIER MES-801SB



\*Custom ADA compliant sinks are available



PROJECT INFORMATION			
Project			
Date	/ /	QTY	
Specifier			
Contact			
Note			

## • FEATURES

16-gauge type 304 stainless steel  
TRI-MOUNT™ installation system

## • TECHNICAL INFORMATION

External dimension: 15"Lx20"Wx10"D  
Basin dimensions: 13"Lx18"Wx10"D  
Frame width: 1.5"  
Frame thickness: 1/4"

## • FINISHES

Satin Brushed stainless steel

## • INSTALLATION OPTIONS

Flush-mount  
Top-mount  
Under-mount

## • MINIMUM CABINET SIZE (I.D.)

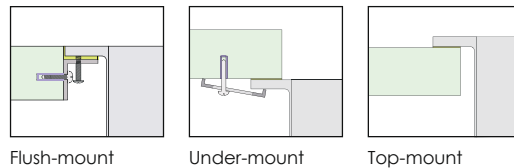
Flush-mount 19"  
Top-mount 15"  
Under-mount 20"

## • INDUSTRY'S ONLY STAINLESS STEEL SINK DESIGNED SPECIFICALLY TO BE FLUSH-MOUNTED

## • U.S. PATENT NO. 9,988,799

## • CANADIAN PATENT NO. 2579506

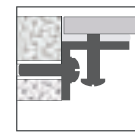
## • TRI-MOUNT INSTALLATION



## • ACCESSORIES



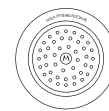
MBG-082SB  
Basin Grid



MTK-108AL  
Mounting Kit



MCB-801BB  
Cutting Board



MKD-101SB  
Strainer

ENTERTAINMENT TRI-MOUNT™