

## PRODUCT DESCRIPTION

- Manual exposed water closet flushometer with bedpan washer
- Brass angle stop valve
- Solid brass construction with chrome electroplated finish
- Solid brass spray arm
- Bearing washers and double o-ring leak prevention system
- Chloramines resistant seals
- 1" IPS inlet supply
- 1-1/2" top spud
- High back pressure vacuum breaker
- Diverter valve support
- ADA compliant handle with dual o-ring seals
- Works with SecureMount™ grab bars

## OPERATION

- Operating pressures: 15 to 120 psi
- AccuSet™ piston technology
- Self-cleaning filter

## FLOW

### Bedpan Washer

□ 8310BPW35 (3.5 gpf/13.2 Lpf)

□ 8310BPW16 (1.6 gpf/6.0 Lpf)

### Bedpan Washer Retrofit (less flush valve)

□ 8310BPWR

## STOP VALVE

- 1" IPS vandal resistant control stop
- Solid brass with chloramines resistant face seal

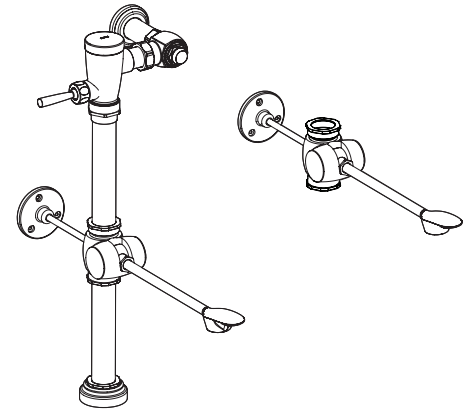
## STANDARDS

- Third party certified by IAPMO and CSA to meet ASME A112.19.2M and all applicable requirements referenced therein and complies with requirements of ASSE 1037

- **ADA** 

## WARRANTY

- Warranted for 5 years against material or manufacturing defects



## 1-1/2" Manual Exposed Style Closet Flush Valve Bedpan Washer

