

SUBMITTAL SHEET

JOB NAME	ITEM TAG
JOB LOCATION	PART NUMBER
CONTRACTOR	DATE
ENGINEER APPROVAL	DATE

PEX TUBING-TO-MANIFOLD CONNECTOR

Tube Connector

Durable split ring compression connection applies even compression force across the PEX tubing

Reliable O-ring seal is superior to flat washer-type seals

Integral insert stiffener and O-ring channel assure correct connection alignment and a positive seal

No special tools required: A PEX tubing cutter and adjustable wrench are all that is needed



Specifications:

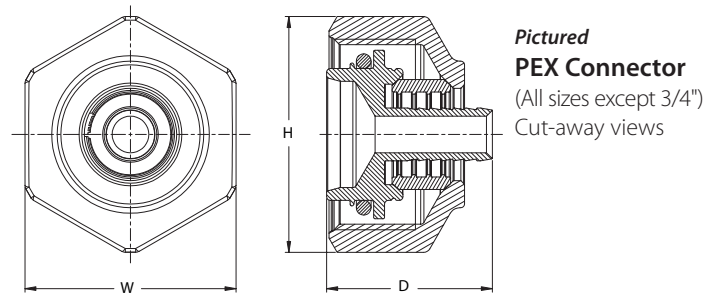
Compatible with PEX tubing manufactured to ASTM F876

Manufactured in an ISO accredited facility

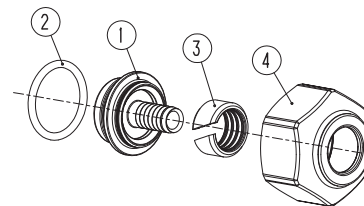
Not for use with PEX-AL-PEX tubing.*

*Please see the Composite Tubing-to-Manifold Connector submittal sheet

Max. Working Pressure, Non-Shock 125 psi
 Max. Working Temperature 230° F



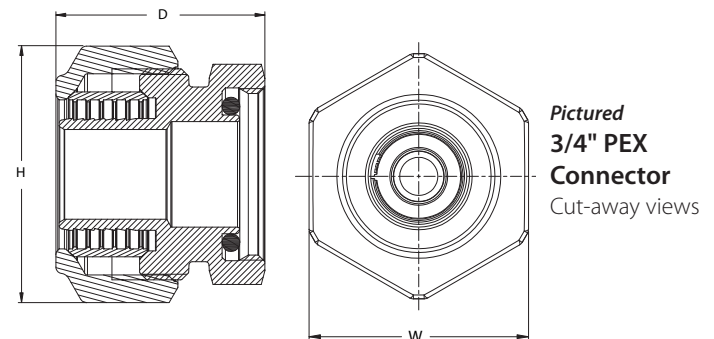
Pictured PEX Connector
 (All sizes except 3/4")
 Cut-away views



Pictured PEX Connector
 (All sizes except 3/4")
 Exploded view

MATERIAL SPECIFICATION

PART	MATERIAL	SPECIFICATION
1 Insert adaptor	Forged brass (M-8300 Connector: Nickel-chrome plated forged brass)	ASTM B124 UNS C37700 (ASTM B124 UNS C37700)
2 O-ring	EPDM rubber	EPDM 7EP1197, commercial grade
3 Compression split-ring	Forged brass	ASTM B124 UNS C37700
4 Compression nut	Forged brass (M-8300 Connector: Nickel-chrome plated forged brass)	ASTM B124 UNS C37700 (ASTM B124 UNS C37700)



Pictured 3/4" PEX Connector
 Cut-away views

DIMENSIONS

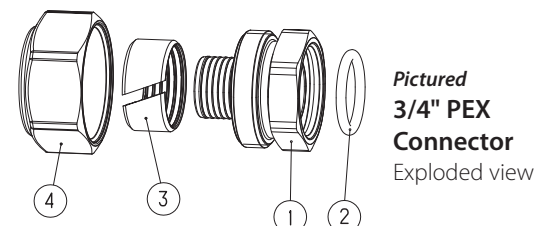
for connectors that fit **Brass** manifold models **M-8000** and **M-8200**:

Size	W	H	D
5/16"	1.14	1.27	0.79
3/8"	1.14	1.27	0.79
1/2"	1.14	1.27	0.81
5/8"	1.14	1.27	0.86
3/4"	1.43	1.62	1.22

DIMENSIONS

for connectors that fit **Stainless Steel** manifold model **M-8300**:

Size	W	H	D
5/16"	1.13	1.27	0.88
3/8"	1.13	1.27	0.88
1/2"	1.13	1.27	0.88
5/8"	1.13	1.27	0.88
3/4"	1.37	1.52	1.24



Pictured 3/4" PEX Connector
 Exploded view