

### Specifications:

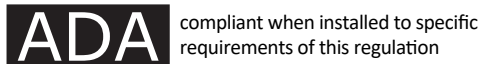
<b>Installation:</b>	built-in wall mount
<b>Exterior Dimensions:</b>	W: 2 3/4" H: 2 3/4"
<b>Material:</b>	solid brass construction ceramic cartridge
<b>Water use:</b>	7.4 GPM (43.5 PSI)
<b>Finishes:</b>	per each faucet line
<b>Fittings included:</b>	2-way diverter : rough-in # VD2

### Features:

- 2-way diverter valve ( 14D2.S.S) with OFF function
- square or round backplate
- multiple handles to match the thermostatic valve
- 2-way diverter operating angle 45°, total turning angle 90° (outlet **B** and **C**) with OFF function between  
Turning clockwise opens C outlet, counter-clockwise opens B outlet
- 1/2" NPT water IN and OUT connections
- 1" extension kit available

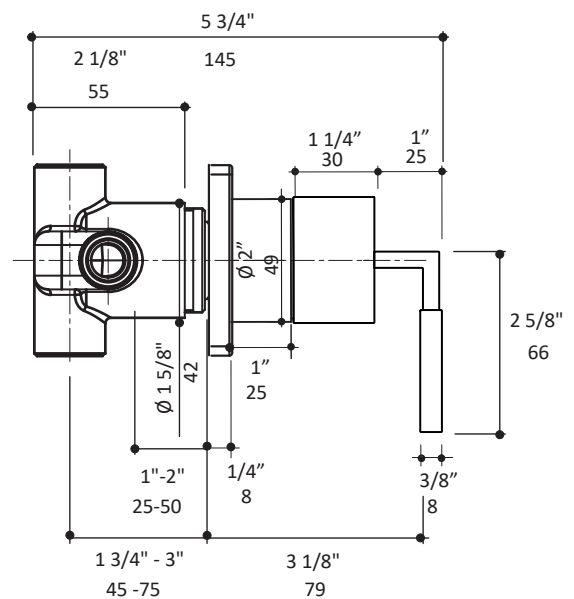
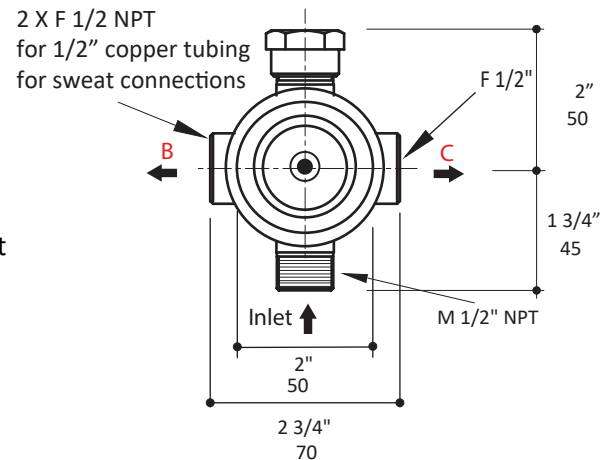
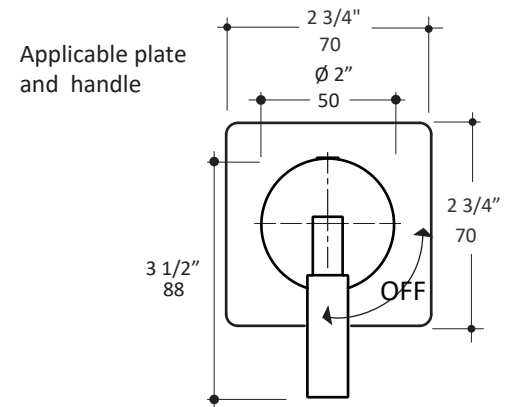
### Codes + Standards:

- Meets and exceeds applicable national codes and standards
- CAL-Green compliant



### Recommended Items:

- Replacement parts:
  - VD2 rough-in for 2-way diverter
  - R033 ceramic cartridge for 2-way diverter
  - VD2-EX 1" extension kit



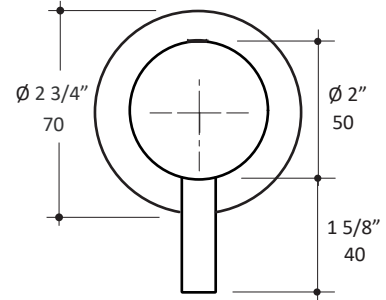
LACAVA reserves the right to revise any dimension or information on this sheet without notice. Dimensions are nominal and may vary within an industry accepted tolerance of 1/4". Drawings provided herein are meant to give the user an idea of the product and are not made to scale. Location of plumbing is meant for reference, your specific application may vary.  
Revised: 11/06/2019

### Specifications:

<b>Installation:</b>	built-in wall mount
<b>Exterior Dimensions:</b>	Ø 2 3/4"
<b>Material:</b>	solid brass construction ceramic cartridge
<b>Water use:</b>	10 GPM (43.5 PSI)
<b>Finishes:</b>	per each faucet line

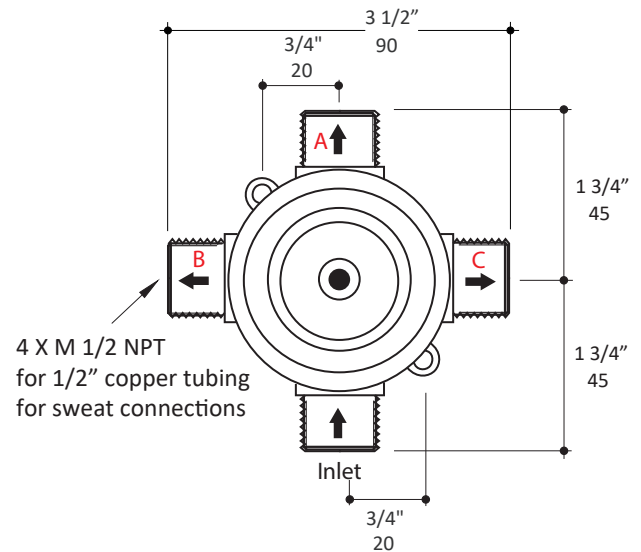
**Fittings included:** 3-way diverter : rough-in # VD3

Applicable plate and handle



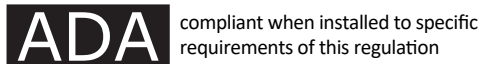
### Features:

- 3-way diverter valve ( 15D3.L.R) with OFF function
- square or round backplate
- multiple handles to match the thermostatic valve
- 3-way diverter operating angle 60°, total turning angle 360° (outlet **A**, **B**, and **C**)
- 1/2" NPT water IN and OUT connections
- 1" extension kit available



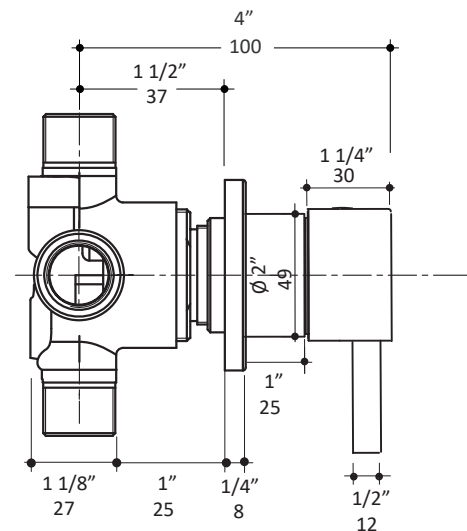
### Codes + Standards:

- Meets and exceeds applicable national codes and standards
- CAL-Green compliant



### Recommended Items:

- Replacement parts:
  - VD3 rough-in for 3-way diverter
  - VD3-C ceramic cartridge for 3-way diverter
  - VD3-EX 1" extension kit



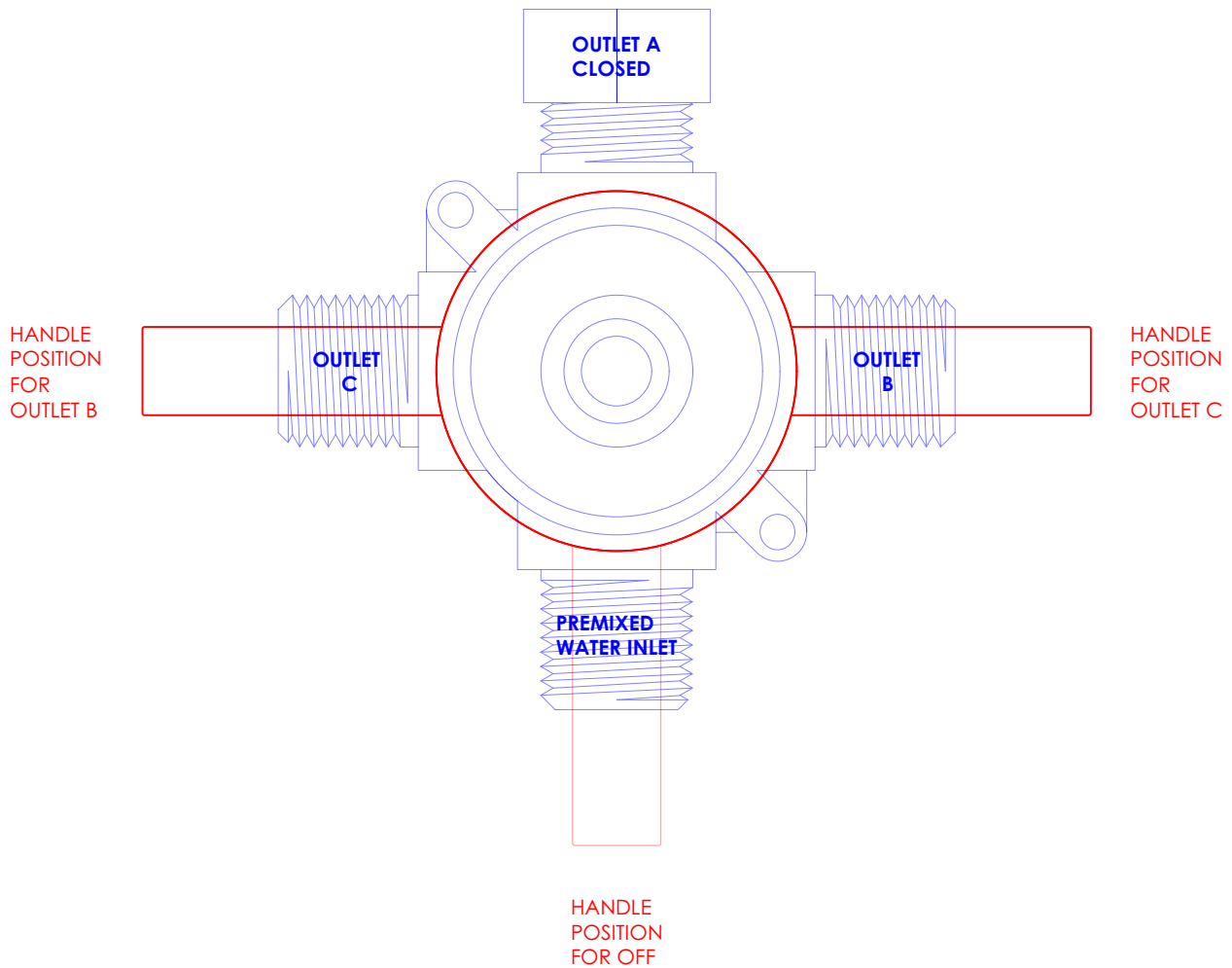
LACAVA reserves the right to revise any dimension or information on this sheet without notice. Dimensions are nominal and may vary within an industry accepted tolerance of 1/4". Drawings provided herein are meant to give the user an idea of the product and are not made to scale. Location of plumbing is meant for reference, your specific application may vary. Revised: 11/06/2019

# LACAVA

## DIVERTER

VD2

**REVIEW BEFORE  
INSTALLATION**



LACAVA reserves the right to revise any dimension or information on this sheet without notice. Dimensions are nominal and may vary within an industry accepted tolerance of 1/4". Cabinets with 'vanity top' sinks are made to the matching sink and dimensions may vary. LACAVA is not responsible for any cutouts, countertops, or furniture made without the actual product or template. Differences in color, grain, appearance, and texture are inherent in all natural woodwork and should be expected. Variances in these qualities are not deemed manufacturing defects and will not be accepted as valid reasons for return or exchanges. Plumbing specifications are only a guideline and may need alteration based on application.

6630 WEST WRIGHTWOOD  
CHICAGO, IL 60707

PH: 773-637-9600  
FAX: 773-637-9601

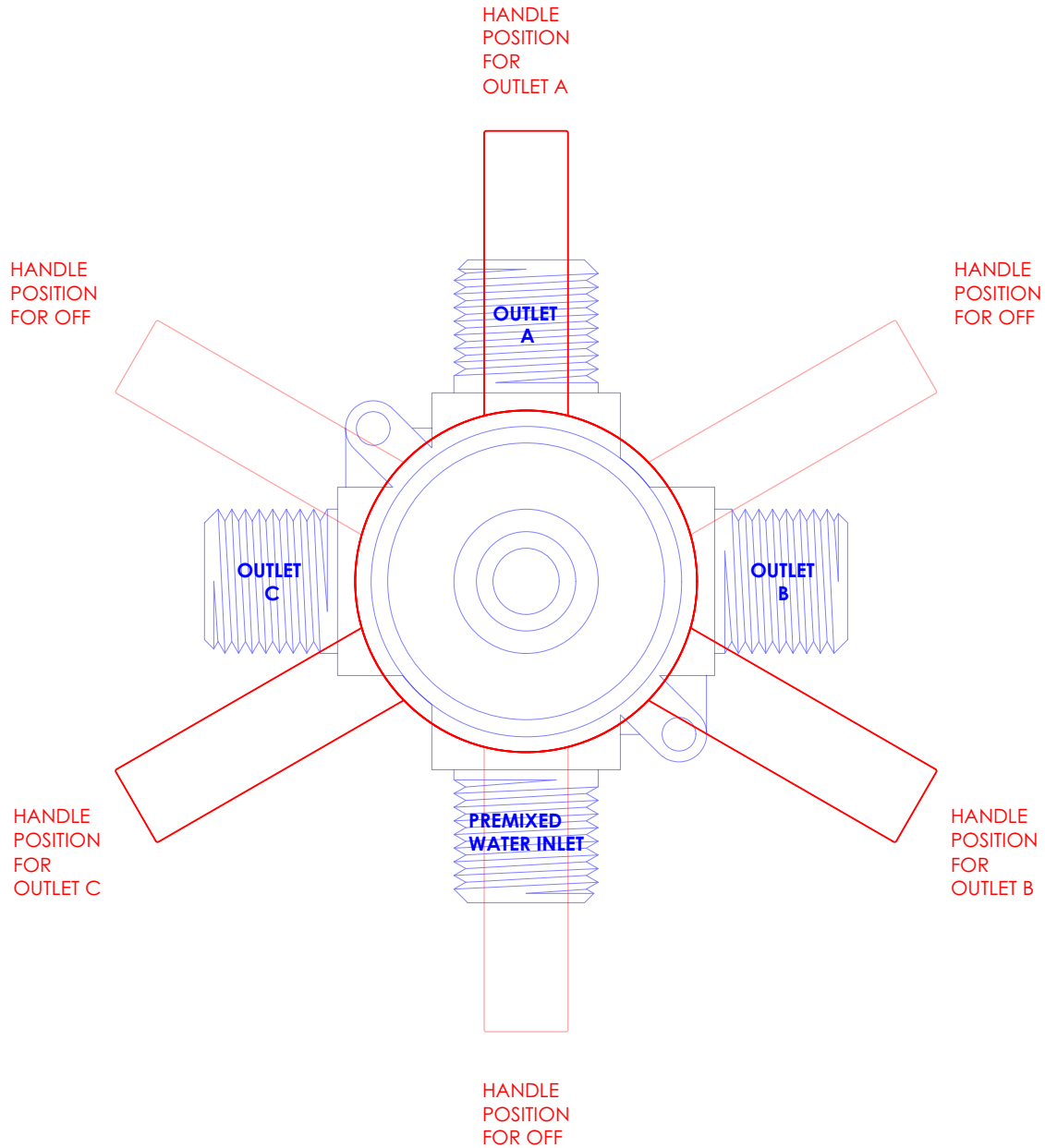
LACAVA.COM  
INFO@LACAVA.COM

# LACAVA

## DIVERTER

VD3

**REVIEW BEFORE  
INSTALLATION**



LACAVA reserves the right to revise any dimension or information on this sheet without notice. Dimensions are nominal and may vary within an industry accepted tolerance of 1/4". Cabinets with 'vanity top' sinks are made to the matching sink and dimensions may vary. LACAVA is not responsible for any cutouts, countertops, or furniture made without the actual product or template. Differences in color, grain, appearance, and texture are inherent in all natural woodwork and should be expected. Variances in these qualities are not deemed manufacturing defects and will not be accepted as valid reasons for return or exchanges. Plumbing specifications are only a guideline and may need alteration based on application.

6630 WEST WRIGHTWOOD  
CHICAGO, IL 60707

PH: 773-637-9600  
FAX: 773-637-9601

LACAVA.COM  
INFO@LACAVA.COM