

LACAVA®

Owner's Manual Furniture

Caution!

Remove doors and drawers from this cabinet during installation and store them away from the work area. This will make the cabinet lighter, easier to move, and also helps protect drawer and door faces during installation. Drawers and doors can open unexpectedly and unbalance the cabinet, causing injury or damage.

All cabinets, even free-standing, should be secured to the wall stud to prevent any movement.

Damage caused during installation is not covered by warranty. Please see our terms and conditions for additional details.



Important: Keep this manual for future technical assistance and/or replacement parts. Please read the instructions within the booklet carefully prior to installation. LACAVA recommends that this fixture be installed by a professional plumber and will not be held responsible for any damage caused by improper installation. It is the responsibility of the homeowner to ensure that this fixture complies with all local plumbing codes. Shut off water supply before starting installation. Please see the Terms & Conditions found within this booklet for additional information. For technical assistance please contact us at 773-637-9600.

Importante: Guarde este manual para futura asistencia técnica y / o piezas de repuesto. Por favor, lea las instrucciones en el folleto cuidadosamente antes de la instalación. LACAVA recomienda que este aparato sea instalado por un técnico

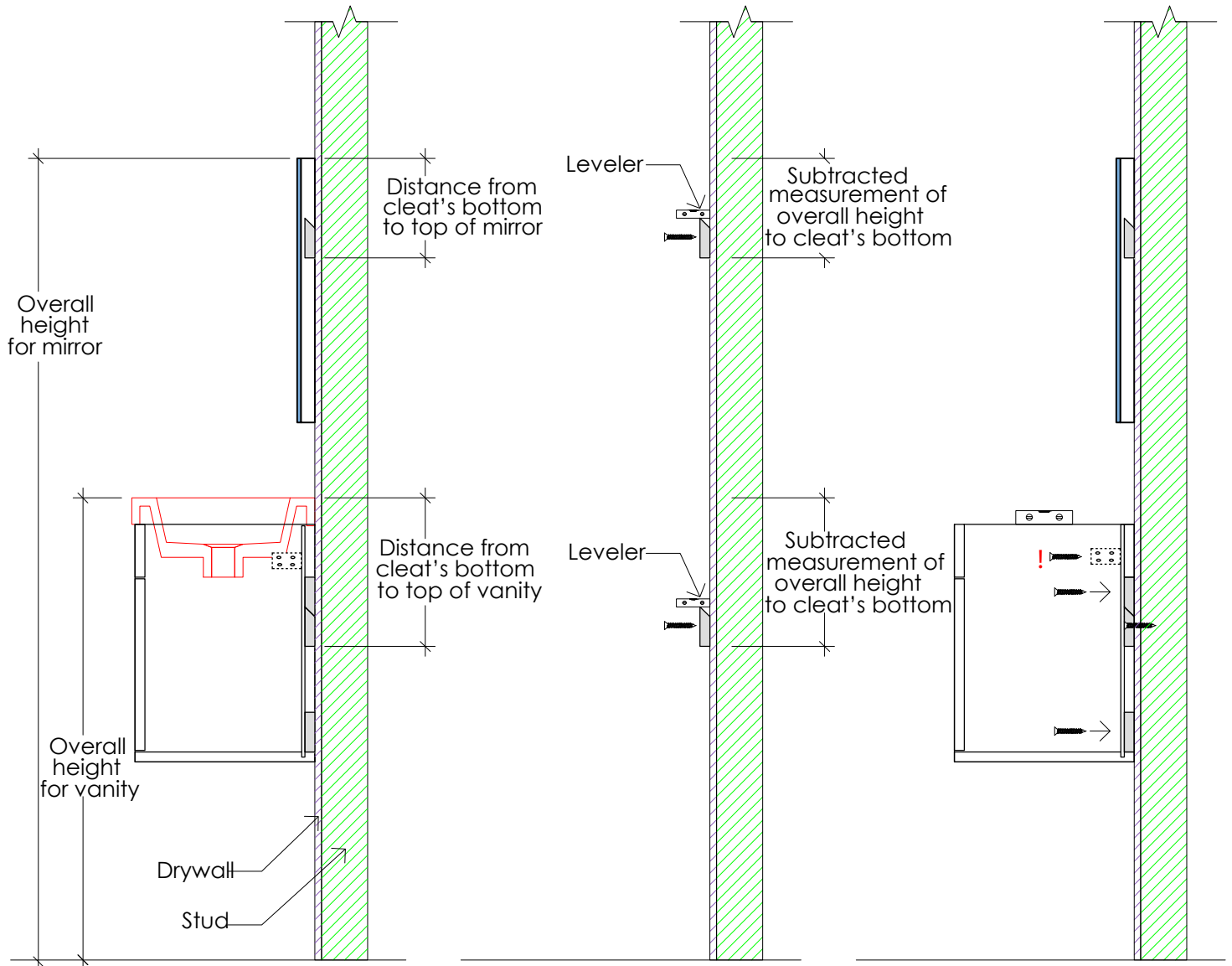
y no se hace responsable de los daños causados por una instalación incorrecta. Es la responsabilidad del propietario garantizar que este aparato cumpla con todos los códigos de plomería locales. Por favor, consulte nuestros Términos y Condiciones que se encuentran en este folleto para información adicional. Para obtener asistencia técnica, por favor contacte a: 773-637-9600.

We would like to thank you for your purchase and are confident that you will be able to enjoy our products for many years to come!

Table of Contents/Contenido:

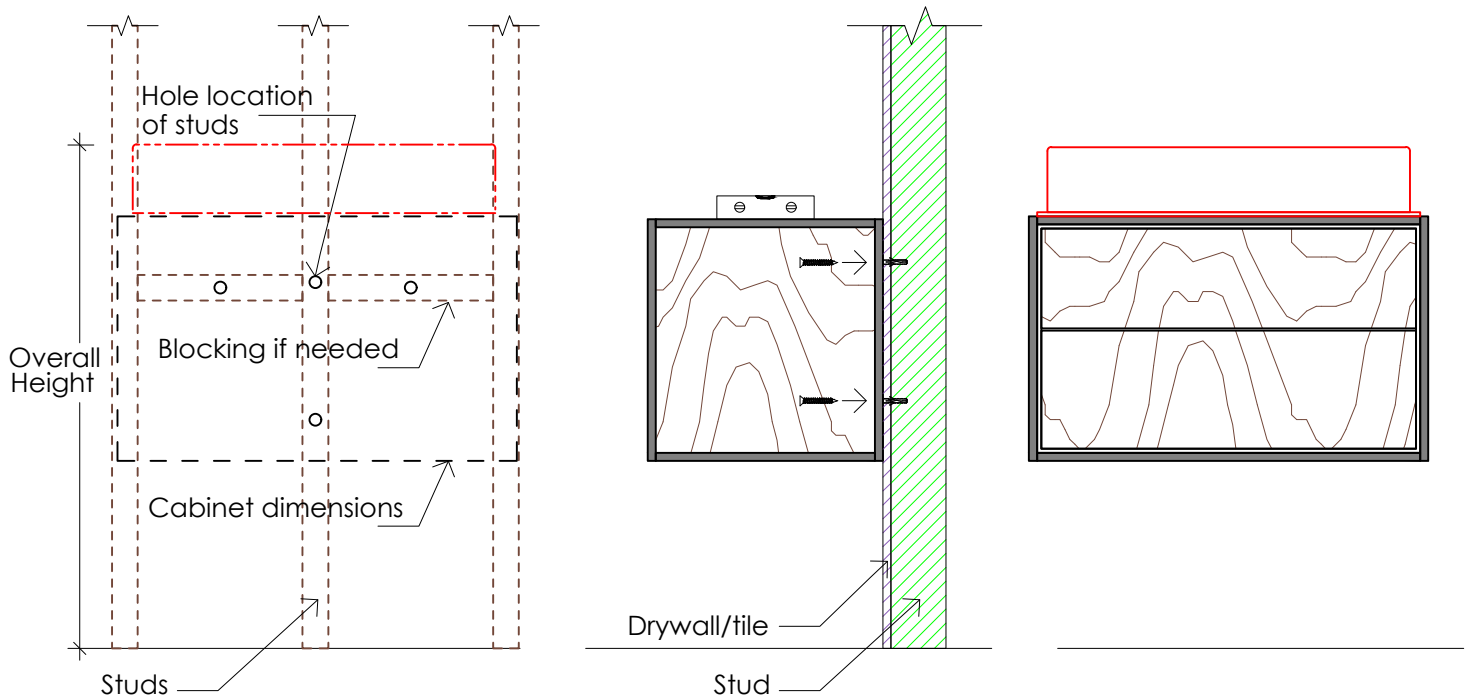
- Page 2: Wall-mounted with cleat cabinet instructions
- Page 3: Direct screw wall-mounted cabinet instructions
- Page 4: Free standing cabinet instructions
- Page 5: Metal console instructions
- Page 6: Drawer installation/removal
- Page 7: Drawer adjustments
- Page 8: Door installation/removal
- Page 9: Door adjustments
- Page 10: Cleaning & Care
- Page 11: Warranty
- Page 12: Terms and Conditions

Wall-mounted cabinet with cleat instructions



1. Remove any drawers and doors to minimize the weight of the vanity when lifting and hanging the vanity on the ledger. This will also prevent any damage done to the vanity.
 2. Measure the overall height of the vanity of installation (see specs for recommended cabinet height). Make a visible line of the overall height.
 3. Measure the distance from the cleat's bottom to the top of the vanity that will be screwed to the wall. Subtract the measurement taken from the overall height and mark position of the bottom of the cleat on the wall.
 4. Make sure the cleat is level and screw a minimum of 2 wooden screws to the stud/blocking for every 2 linear feet.
 5. Once the cleat is safely secured to the wall, carefully hang the cabinet onto the cleat. Double check to see if the cabinet is leveled, and then reinforce the cabinet to the studs. Note that the shaded gray parts of the cabinet can be reinforced to the wall. Most wall-mounted cabinets with cleats will be build this way. Be considerate of where the screws are visible when screwing into the cabinet.
- IMPORTANT! If corner metal brackets present, drive additional screws for each hole pre-punched in the brackets.**
6. Once cabinet is installed, reinstall the drawers and doors, and then proceed with the installation of the sink and countertop.

Wall-mounted cabinet without cleat instructions



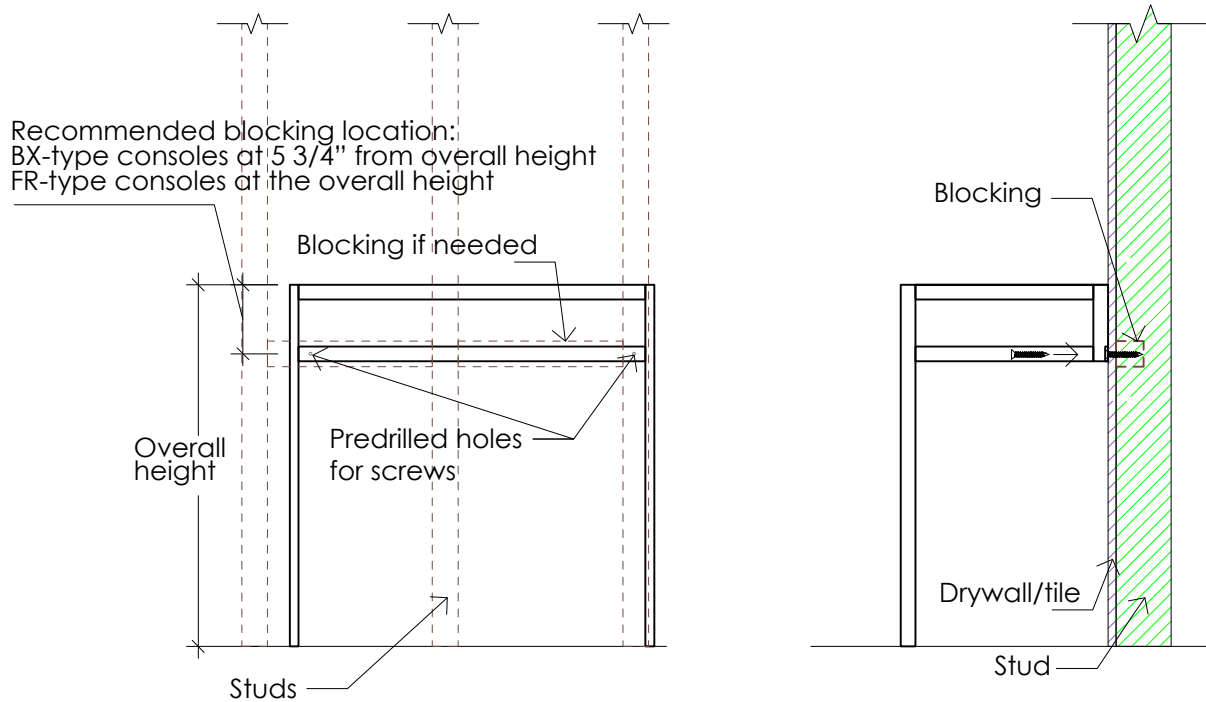
1. Start by making a mark of the overall height of cabinet with sink.
2. Remove any drawers and doors to minimize the weight of the vanity when lifting. This will also prevent any damage done to the vanity.
3. Sketch or use painters tape to mark the location of the cabinet overall dimensions on the drywall/tile.
4. Locate the studs and installed additional blocking on the wall and predrill holes for the screws/anchors, minimum 4 screws to studs for every 2 linear feet. Transfer the same hole location on the backing of the cabinet.
5. Apply construction adhesive on the back of the cabinet. Lift the cabinet into place and align the hole location of the cabinet to the studs, it is recommended to have help when lifting the cabinet. Set the vanity in place and drive the mounting screws into the wall, shim as needed. Be considerate of where the screws are visible when screwing into the cabinet.
6. Once cabinet is installed, reinstall the drawers and doors, and then proceed with the installation of the sink and countertop.

Free-standing cabinet instructions



1. Place the cabinet in position.
2. Remove any drawers and doors to minimize the weight of the vanity when lifting. This will also prevent any damage done to the vanity.
3. Drill one hole at each stud, through any shims. Drive screws partway into the wall. Check for level again, shim as necessary to level, and drive the screws all the way in.
4. Once cabinet is installed, reinstall the drawers and doors, and then proceed with the installation of the sink and countertop.

Metal console instructions



1. Start by leveling the console.

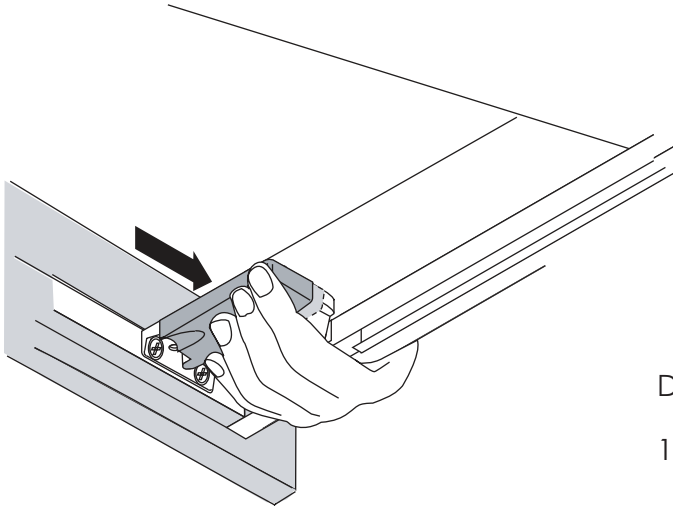
Note: Stainless steel consoles come with leveling feet, brass consoles do not come with leveling feet.

2. Consoles are made with predrilled holes for attaching them to a wall. If no studs are located at the location of the holes, it is recommended to install blocking centered to pre drilled holes.

Note: On the consoles type BX, e.g. AQG-BX-40, the holes are located approx. 5 3/4" from the total height of the consoles. On the consoles type FR, e.g. AQG-FR-40, the holes are located at the overall height of the consoles.

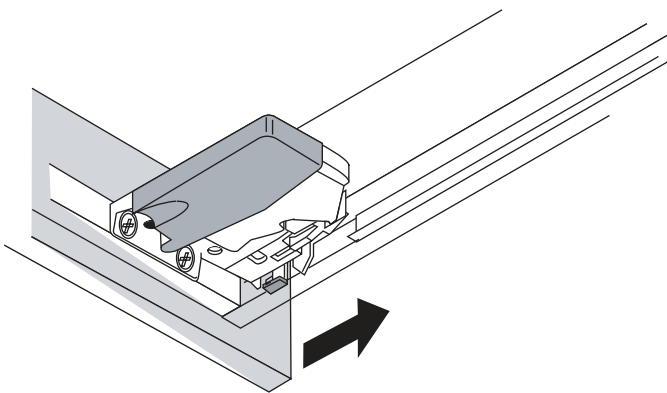
3. Predrill holes in the wall material as applicable, and attach the metal console frame to the wall. Once the console is attached to the wall, proceed with installing the sink.

Drawer Removal/Installation



Drawer Removal:

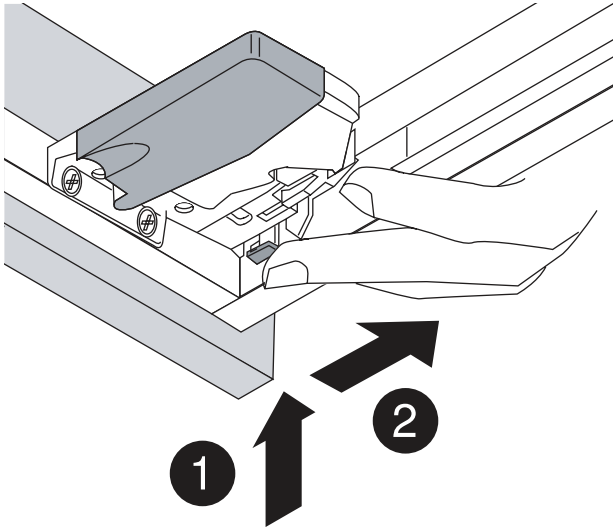
1. Reach under the drawer and squeeze the orange handles of both locking devices.
2. While holding the handles, pull the drawer straight out and lift it off the runners.



Drawer Installation:

1. Place drawer on the runners (either extended or retracted) and close.
2. The locking devices will automatically engage with runners. Open drawer completely to confirm that both locking devices have engaged.

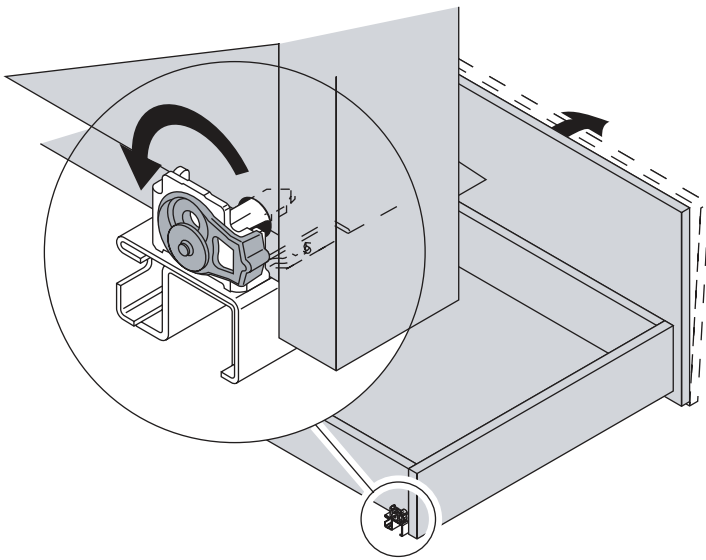
Drawer Adjustments



Height adjustment:

1. Press down on adjustment latch.
2. Push latch towards back of drawer after pressing it down.

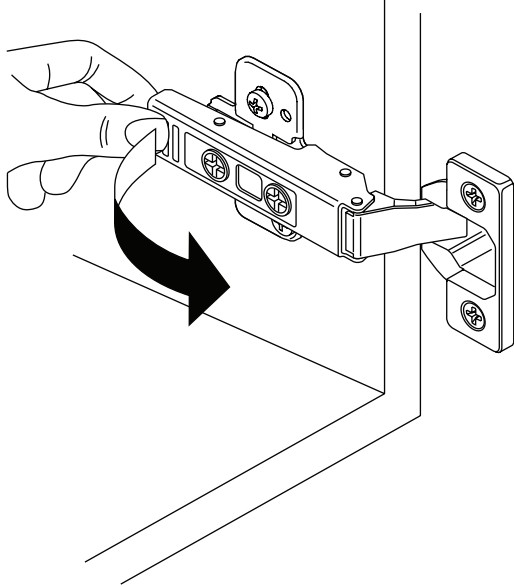
*Provides upward adjustment only.



Tilt adjustment:

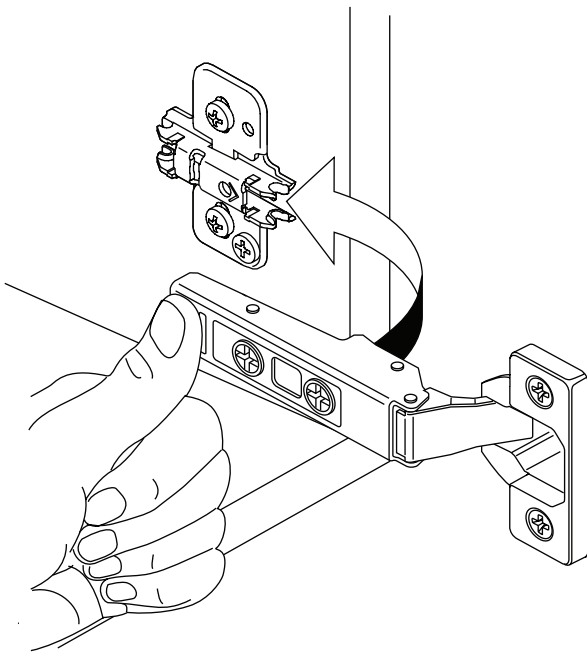
1. Rotate tab on rear hook for tilt adjustment.

Door Removal/Installation



Door Removal:

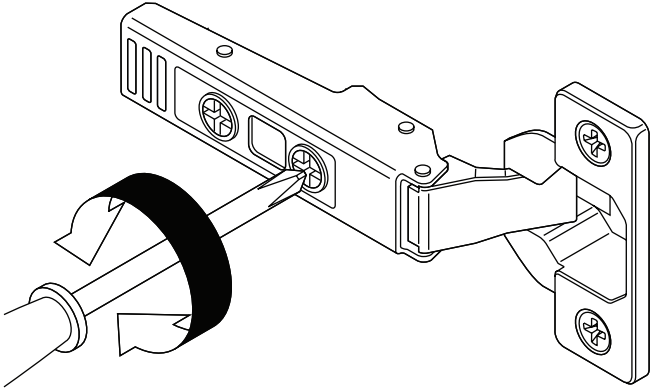
1. Release the lever under the hinge arm to remove.



Door Installation:

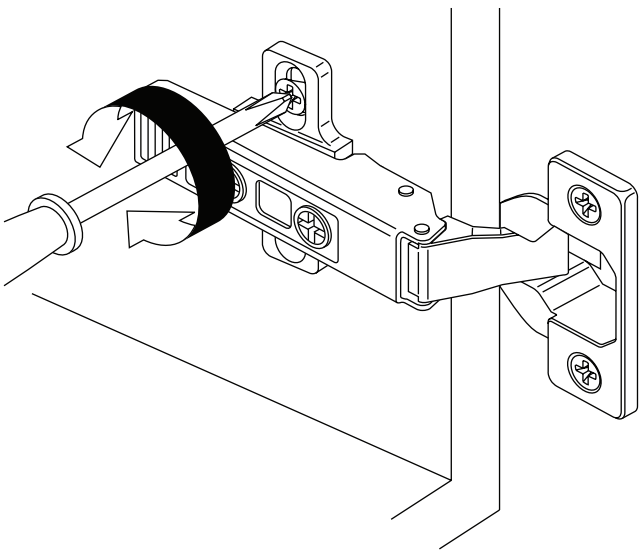
1. Place the hinge on the mounting plate and push the back of the hinge arm down with finger pressure.
2. The "click" sound confirms a secure attachment.

Door Adjustments



Side adjustment:

1. Rotate the front screw to increase or decrease the door overlay (+/- 2mm).



Height adjustment:

1. Loosen screws on the mounting plate.
2. Adjust door to position and tighten screws (+/- 3mm).

Cleaning and Care

For best results, please care for this product in accordance with the following instructions:

- Only use warm water and a mild detergent (i.e. dishwashing soap) for cleaning.
- If another cleaner is used, check the label to make sure that it is safe for use on the material being cleaned and always test in an inconspicuous area first.
- Make sure to wipe any excess cleaners off with a damp sponge or cloth and then rinse with water.
- Dry the surface with a soft cloth until dry after each use.
- Never use abrasive materials or cleaners that contain ammonia, bleach or acid, since they can cause damage to the finished surface.

Cuidado y Limpieza

Para mejores resultados, por favor cuide des este producto de acuerdo con las siguientes instrucciones:

- Sólo utilice agua tibia y un detergente suave (es decir, el jabón para lavar la vajilla) para la limpieza.
- Si se utiliza otro limpiador, revise la etiqueta para asegurarse de que es seguro para el uso del material para su limpieza y siempre prueba en un área discreta primero.
- Asegúrese de limpiar cualquier exceso de productor de limpieza con una esponja o un trapo húmedo y luego enjuague con agua.
- Seque la superficie con un paño suave hasta que se seque después de cada uso.
- Nunca use materiales abrasivos o productos de limpieza que contienen amoníaco, lejía o ácido, ya que pueden causar daños a la superficie acabada.

Warranty

LACAVA warrants its products to be free from any defects in materials or workmanship, during normal residential or commercial use including all hinges, drawer slides, cartridges, finishes, and general workmanship of the item. LACAVA warranties do not cover normal wear and tear, damages due to negligence, improper installation, alterations, improper repairs, improper use, improper maintenance, or damages due to uses of the product other than its intended and normal use. All warranties last for a period of one year from the date of purchase. If a defect is found under normal use, while under warranty, LACAVA will repair or replace the product (whichever cost is smaller to LACAVA) at its own expense (excluding shipping and installation charges). Under no circumstances is LACAVA responsible for installation/service fees or any dollar amount beyond the cost of the item. In addition, all LACAVA products are to be installed by experienced professionals properly licensed and bonded; otherwise, any LACAVA warranty and liability is to be considered waived. All warranties are non-transferable and proof of purchase is required for any warranty claim.

In accordance with the laws of limitation and exclusion state by state, and therefore provided the duly exceptions, LACAVA will not be held liable, in any event, for any special, indirect, incidental or consequential damages or losses (including but not limited to damages for loss of business, loss of profits, etc.) for breach of contract, tort (including negligence), product liability or otherwise, even if it has been advised of the possibility of such damages. LACAVA's liability on any claim (including negligence) will not in any case exceed the contract price paid by the original purchaser for the product claimed defective or unsuitable. It is the responsibility of the homeowner to ensure that all installed fixtures comply with all local plumbing codes.

Garantía

LACAVA garantiza que sus productos están libres de defectos en materiales o mano de obra, durante el uso residencial o comercial normal, incluyendo todas las bisagras, cajón portaobjetos, cartuchos, acabados, y en calidad general. LACAVA no cubren el desgaste normal, daños debidos a negligencia, instalación incorrecta, alteraciones, reparaciones incorrectas, uso incorrecto, mantenimiento inadecuado, o daños debido a los usos del producto que no sean su uso previsto y normal. Todas las garantías son por un año desde la fecha de compra. Si un defecto se encuentra en condiciones de uso normal, mientras que esta bajo garantía, LACAVA reparará o reemplazará el producto (lo que sea el menor costo para LACAVA) sin cobro (excluyendo los gastos de envío y la instalación). Bajo ninguna circunstancia LACAVA se hace responsable de la instalación y tarifas de servicio o cualquier cantidad de dinero más allá del costo del elemento. Además, todos los productos de LACAVA deben ser instalados por profesionales con experiencia, con la licencia y cobertura de seguro adecuada, de lo contrario, cualquier garantía ofrecida por LACAVA será anulada. Las garantías de LACAVA no son transferibles. Se requiere prueba de compra para cualquier reclamación de garantía.

En conformidad con las leyes de la limitación y exclusión de estado a estado, y con las excepciones aquí debidamente presentadas, LACAVA no será responsable, en cualquier caso, por ningún daño especial, indirecto, incidental o consecuencial o pérdidas (incluyendo pero no limitadas a daños por pérdida de negocio, pérdida de beneficios, etc) por incumplimiento de contrato, agravio (incluyendo negligencia), responsabilidad por productos defectuosos o de otro modo, incluso si se ha advertido de la posibilidad de tales daños. La Responsabilidad de LACAVA en caso de reclamaciones (incluyendo negligencia) no superarán en ningún caso el precio del contrato pagado por el comprador original del producto reclamado defectuoso o no apto. Es la responsabilidad del propietario garantizar que todos los accesorios instalados cumplan con todos los códigos de plomería locales.

Terms and Conditions

UNIQUENESS:

Many LACAVA products are made of natural stone, woods, or metals. Because of the natural variations, and/or handmade nature of the products, slight differences are expected and are not deemed manufacturing defects.

SHIPPING POLICIES:

Once the merchandise is released to and accepted by the carrier, LACAVA's responsibility ends. LACAVA is not responsible for damages occurring in transit. After the merchandise is delivered and the shipping document is signed, it becomes the property of the purchaser. We constantly improve the packaging as new technologies become available, but damages in transit may still occur. Therefore, we recommend that all packages be inspected by the purchaser in the carrier's presence upon delivery. In case of damages, either visible or concealed, the purchaser is responsible for filing any damage claim against the carrier. In this regretful circumstance, we suggest utter diligence to have the carrier's agent explain the steps to submit a valid claim against the carrier, as each carrier has different claim policies. Please document everything in writing, preferably on the shipping documents and have also the carrier's agent sign along. If you wish that Lacava assists you in the claim process, please fax or email us copies of the shipping and claim documents at your earliest convenience. In the case of missing items, which could occur due to our mistake or a theft during transit, please follow same procedures as for shipping damages above, with the only difference that the claim concerns something completely missing, rather than damaged. Please take note of any visible tampering with the packaging in the presence of the carrier's agent before accepting the delivery with your signature. In case of missing items, you must also inform LACAVA and send us all related documents within 24 hours from the delivery date. We will open an internal investigation and check the inventory count to determine whether it was our error. If we verify it was our mistake, we will promptly ship the missing item(s) to the purchaser by standard ground at our cost.

RETURN POLICIES:

If the product is not satisfactory for any reason different from defects, it can be returned to LACAVA up to 30 days from the shipping date after obtaining a Return Goods Authorization (RGA) valid for 60 days. If the product is not returned to LACAVA within that timeframe, the RGA will be voided and no further RGAs will be issued for the product. The merchandise must be in salable condition, in its original packaging, and packed safely with the RGA number clearly marked on the outside packaging. To obtain an RGA number, please fax or email the request with a description of the reason for return. The merchandise must be in its original packaging and packed safely in accordance with the carrier's packing requirements, with the RGA number clearly marked on the outside packaging. LACAVA reserves the right not to issue any credit, if an approved RGA number has not been obtained. A restocking fee of 25 percent and applicable shipping charges to the customer and back will be deducted from the credit amount. Credit (excluding shipping and handling charges) will be given only for returns of intact products up to 30 days from the shipping date. After 30 days from the shipping date, no returns will be accepted. All returned merchandise is at the purchaser's risk and cost. Special order and custom made items are not returnable. Products must be inspected prior to installation and installation of the product means its acceptance. Product, once installed, cannot be returned. Damages occurring in installation are not considered defects and are not subject to return or refund. LACAVA will replace any defective item for free only after the non-conforming product is safely returned to LACAVA's warehouse safely in accordance with the carrier's packing requirements, and in its original packaging, within 30 days from the shipping date. If the product is not found to be defective and is damaged in any way, there may be a charge for any replacement. In any case, LACAVA does not cover installation costs.

We would like to thank you for your purchase and are confident that you will be able to enjoy our products for many years to come!

Términos y Condiciones

SINGULARIDAD:

Muchos productos están hechos de piedra natural, maderas o metales. Debido a las variaciones naturales, y / o la naturaleza de los productos artesanales, pequeñas diferencias se pueden esperar y no se consideran defectos de fabricación.

POLÍTICAS DE ENVÍO:

Una vez que la mercancía es entregada y aceptada por la compañía de transporte, la responsabilidad de LACAVA termina. LACAVA no es responsable por daños ocurridos en tránsito. Después que la mercancía se entrega y el cliente firma el documento de transporte, la mercancía se convierte en la propiedad del comprador. Con el avance de tecnología estamos constantemente mejorando nuestros modos de empaque. Pero los daños en tránsito aun pueden ocurrir. Por lo tanto, se recomienda que todos los paquetes sean inspeccionados por el comprador en presencia de la compañía a la hora de entrega. En el caso de daños, ya sea visible o encubierto, el comprador es responsable de presentar cualquier reclamo por daños contra el transportista. En esta circunstancia lamentable, le sugerimos que ser muy cauteloso y pedir a el agente de la compañía que le explique los pasos para presentar una demanda legal contra la compañía (ya que cada compañía tiene políticas de demanda diferentes). Documente todo por escrito, de preferencia en los documentos de embarque, también pida a el agente/chofer que firme a lo largo. Si usted desea que nosotros, le ayudemos en el proceso de reclamo, envíenos por fax copias de los documentos de envío y reclamo a la más brevedad posible. En el caso de que falte mercancía a su orden, ya que no sabemos si se debe nuestro error o de un robo durante el transporte, por favor, siga el mismo proceso que el anterior. Con la única diferencia de que el reclamo será por algo completamente desaparecido, y no por daño. Por favor note, en la presencia del agente/chofer de la compañía, cualquier alteración visible en el empaque. En el caso que falten artículos, también hay que informar a LACAVA y enviar todos los documentos relacionados con un plazo de 24 horas a partir de la fecha de entrega. Vamos a abrir una investigación interna y verificar el recuento de inventario para determinar si fue un error de nuestra parte. Si nos damos cuenta que fue nuestro error, rápidamente se le enviara el artículo que falta al comprador por UPS (tierra) sin costo extra.

PÓLIZAS DE DEVOLUCIÓN:

LACAVA reemplazará cualquier producto defectuoso debido a defectos de fabricación sólo después de la no conformidad del producto se devuelve al almacén LACAVA en condición vendible plazo de 30 (treinta) días a partir de la fecha de envío. En cualquier caso, LACAVA no cubre los costes de instalación. Si el producto no es satisfactorio, por cualquier motivo diferente de los defectos, que pueden ser devueltos a LACAVA hasta 30 (treinta) días a partir de la fecha de envío después de obtener una Autorización de Devolución de Bienes (RGA), válida por 60 días. Si el producto no se devuelve a LACAVA dentro de ese plazo, la RGA se anularán y no se RGA se emitirán nuevos para el producto. La mercancía debe estar en su embalaje original y embalado de forma segura. Una tasa de reposición de 25 por ciento y los gastos de envío aplicables a los clientes y la espalda se deducirá de la cantidad del crédito. De crédito (excluyendo gastos de envío) se dará sólo para las devoluciones de productos intactos hasta 30 días a partir de la fecha de envío. Después de 30 días a partir de la fecha de envío, no se aceptarán devoluciones. Toda la mercancía devuelta es a riesgo del comprador y el costo. Especial orden y artículos personalizados no son retornables. Los productos deben ser inspeccionados antes de la instalación y la instalación del producto, su aceptación. Producto, una vez instalado, no pueden ser devueltos. Los daños se producen en la instalación no se consideran defectos y no están sujetos a devolución o reembolso.

¡Nos gustaría darle las gracias por su compra y estamos seguros que usted podrá disfrutar de nuestros productos por muchos años!