

FEATURES

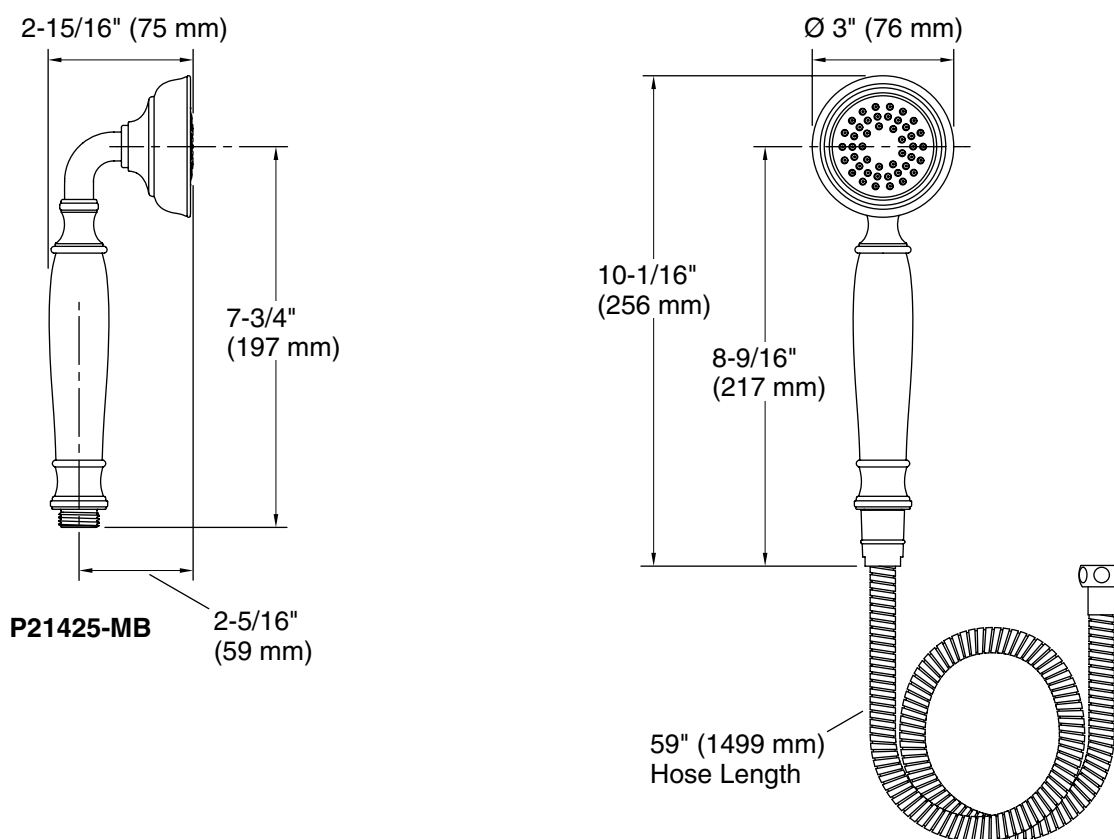
- Solid brass construction for durability and reliability
- Single-function spray
- Easy-to-clean sprayface resists mineral buildup
- Heat-resistant handshower handle helps to eliminate scalding
- 1.75 gal/min (6.6 l/min) flow rate
- 59" (1499 mm) hose included
- Complements Kallista faucets and fixtures

CODES/STANDARDS APPLICABLE

Specified model meets or exceeds the following:

- ASME A112.18.1/CSA B125.1
- EPA WaterSense®

P21425



P21425-MB

SPECIFIED MODEL

Model	Description	Finishes			
P21425-MB	Traditional Single-Function Handshower, Metal Handle	<input type="checkbox"/> CP Polished Chrome	<input type="checkbox"/> AD Nickel Silver	<input type="checkbox"/> AG Brushed Nickel	<input type="checkbox"/> ULB Unlacquered Brass
Recommended Accessories					
P21651-00	Traditional Wall Bracket with Integrated Supply Elbow	<input type="checkbox"/> CP Polished Chrome	<input type="checkbox"/> AD Nickel Silver	<input type="checkbox"/> AG Brushed Nickel	
P24039-00	Tuxedo™ Wall Supply Elbow	<input type="checkbox"/> CP Polished Chrome	<input type="checkbox"/> AD Nickel Silver	<input type="checkbox"/> AG Brushed Nickel	
P24040-00	Tuxedo™ Fixed Wall Bracket	<input type="checkbox"/> CP Polished Chrome	<input type="checkbox"/> AD Nickel Silver	<input type="checkbox"/> AG Brushed Nickel	
P21653-00	Traditional Deck-Mount Handshower Trim	<input type="checkbox"/> CP Polished Chrome	<input type="checkbox"/> AD Nickel Silver	<input type="checkbox"/> AG Brushed Nickel	

We reserve the right to make revisions without notice in the design of products or in packaging unless this right has specifically been waived at the time the order is accepted.