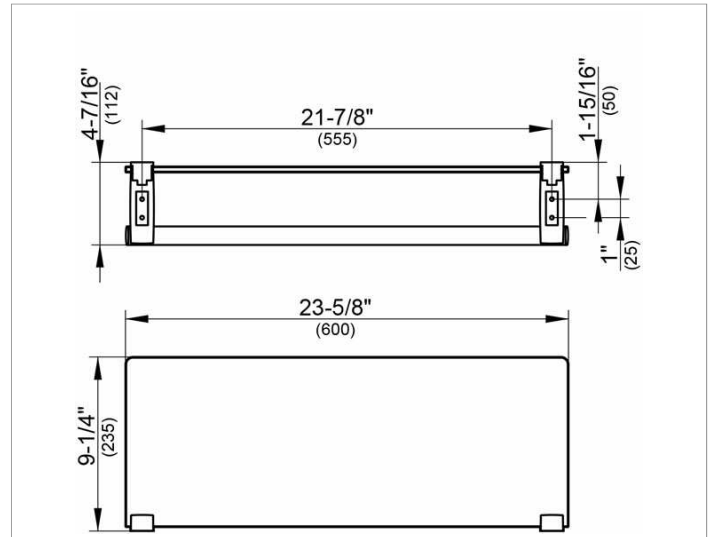


Plan  
14975070000 Towel rack

PRODUCT



DRAWING



PRODUCT ATTRIBUTES

shelf made of tempered glass

SURFACE

stainless steel/stainless steel finish

DIMENSION

23,62 "

**Warranty:** KEUCO products are covered by a 5-year manufacturer's warranty, in effect from the date of purchase. During this time, proven product defects will be remedied free of charge. Warranty claims must be filed in writing, including a detailed description of the defect immediately after a defect has occurred. For a copy of our detailed product warranty policy, please contact us at [office-usa@keuco.com](mailto:office-usa@keuco.com).

**Installation:** KEUCO products must be installed by a qualified professional in accordance with the respective installation guidelines and any applicable federal / local building codes and regulations.