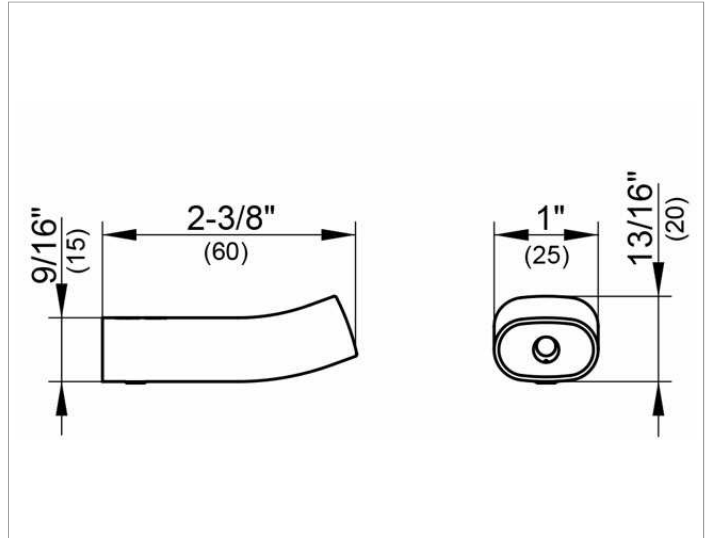


Edition 400
11514050000 Towel hook

PRODUCT



DRAWING



PRODUCT ATTRIBUTES

single

SURFACE

brushed nickel

SPECIFICATIONS

KEUCO Edition 400 towel hook 11514050000
brushed nickel towel hook,
sculptural design,
with slightly rounded edges,
hook head slightly angled, easy to clean,
depth 2-3/8", width 1", total height 13/16",
the towel hook is fitted concealed,
delivery includes anti-corrosion fixings

Warranty: KEUCO products are covered by a 5-year manufacturer's warranty, in effect from the date of purchase. During this time, proven product defects will be remedied free of charge. Warranty claims must be filed in writing, including a detailed description of the defect immediately after a defect has occurred. For a copy of our detailed product warranty policy, please contact us at office-usa@keuco.com.

Installation: KEUCO products must be installed by a qualified professional in accordance with the respective installation guidelines and any applicable federal / local building codes and regulations.