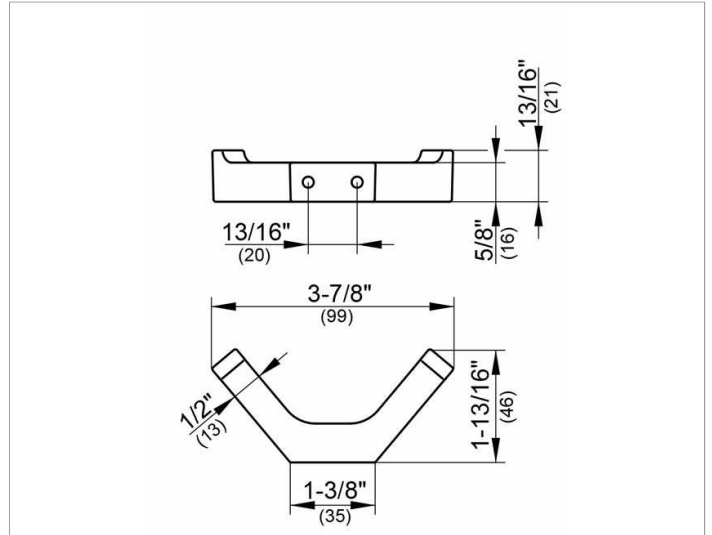


Edition 11  
11115050000 Towel hook

**PRODUCT**



**DRAWING**



**PRODUCT ATTRIBUTES**

double

**SURFACE**

brushed nickel

**SPECIFICATIONS**

KEUCO EDITION 11 double towel hook 11115050000  
brushed nickel double towel hook in the formal design and clear  
geometric shapes  
Overall width 3-7/8", overhang 1-13/16"  
delivery with corrosion resistant mounting hardware

**Warranty:** KEUCO products are covered by a 5-year manufacturer's warranty, in effect from the date of purchase. During this time, proven product defects will be remedied free of charge. Warranty claims must be filed in writing, including a detailed description of the defect immediately after a defect has occurred. For a copy of our detailed product warranty policy, please contact us at [office-usa@keuco.com](mailto:office-usa@keuco.com).

**Installation:** KEUCO products must be installed by a qualified professional in accordance with the respective installation guidelines and any applicable federal / local building codes and regulations.