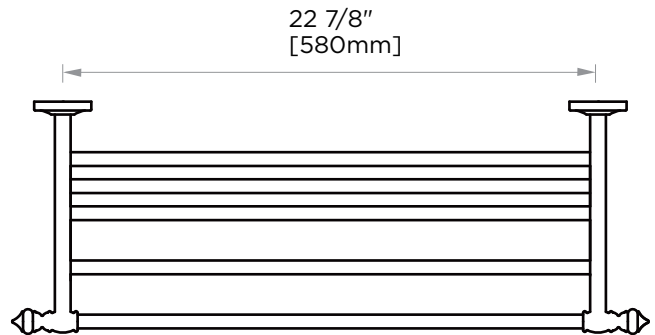
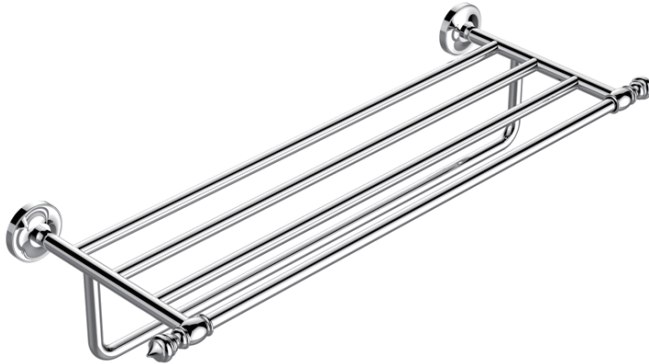


LYON COLLECTION
DOUBLE TOWEL
SHELF
351442



PRODUCT NAME: DOUBLE TOWEL SHELF

PRODUCT CODE: 351442

MATERIAL: All-brass construction

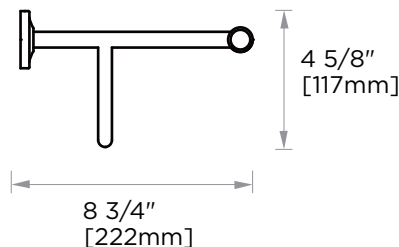
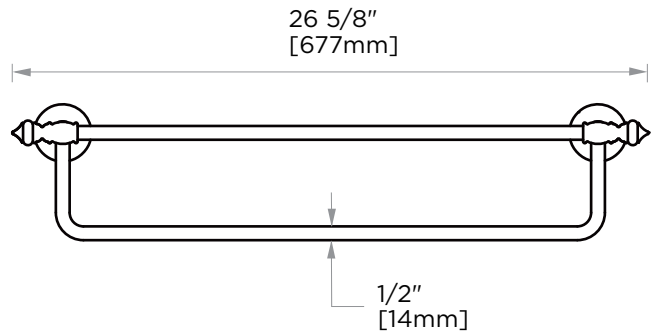
KEY FEATURES: Traditional design. Solid round anchors are firmly set off with finely contoured finials.

STOCKED FINISHES:

- Polished Chrome (99)
- Brushed Nickel (81)
- Polished Nickel (68)

SPECIAL FINISHES AVAILABLE: 26 options available. Please see our website for full list samples

WARRANTY:
Lifetime Limited (Residential Use)
One Year (Commercial Use)



NOTE: Dimensions and specifications are subject to change without notice.