

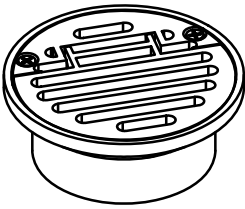
**SPECIFICATION:**

JOSAM SERIES "H" ADJUSTABLE SATIN FINISH NIKALOY ROUND STRAINER WITH HINGED GRATE, THREADED WITH JOSAM ADJUSTABLE STRAINER THREAD.

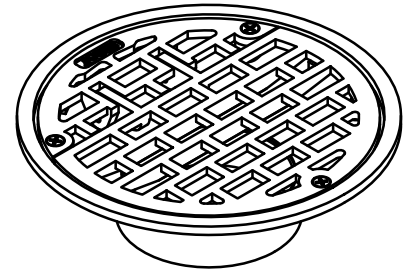
**FLOOR DRAIN  
ADJUSTABLE STRAINER**

SERIES

**H**

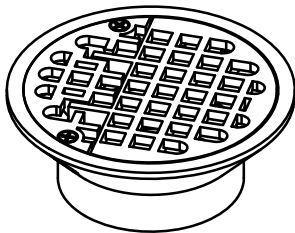


5H  
SLOT WIDTH: 5/16"  
MEETS ADA AND HEEL-PROOF

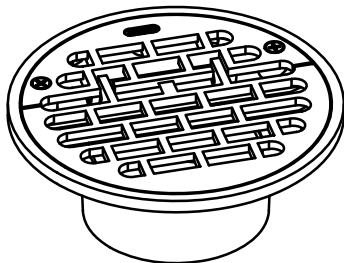


8H  
SLOT WIDTH: 1/2" x 1"  
MEETS ADA

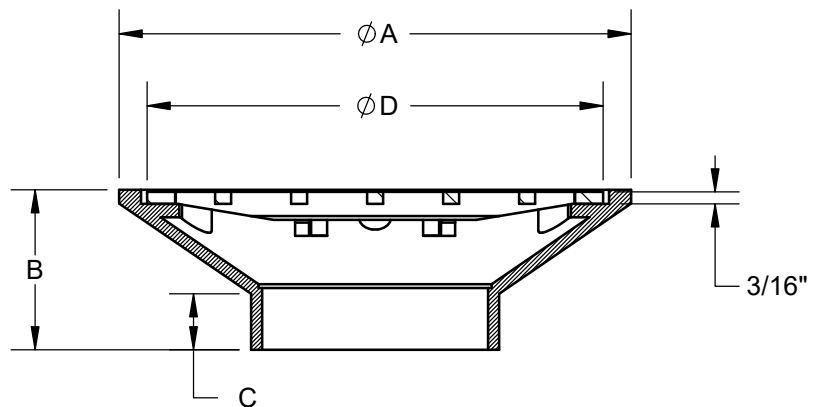
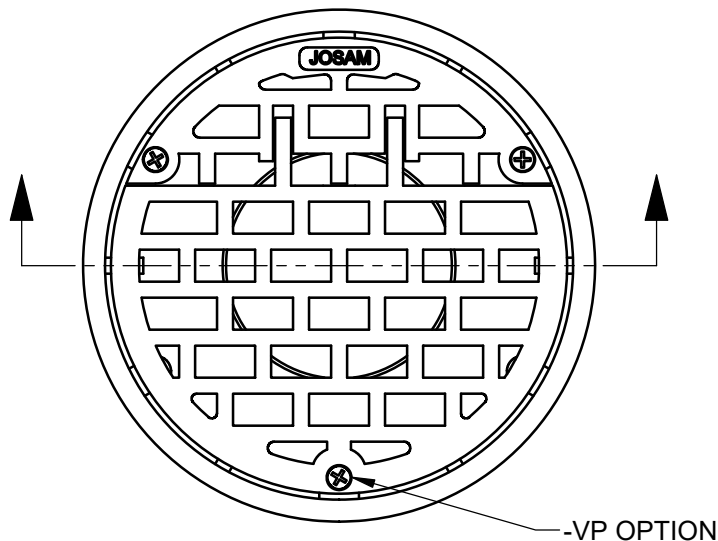
(-VP OPTION SHOWN)



6H  
SLOT WIDTH: 7/16" x 7/16"  
MEETS ADA



7H  
SLOT WIDTH: 1/2" x 1"  
MEETS ADA



**OPTIONS:**

			<b>STRAINER</b>	<b>A</b>	<b>B</b>	<b>C</b>	<b>D</b>	<b>FREE AREA</b>
-2	BRONZE ADJUSTABLE STRAINER		-5H	5	2	1-1/8	4-5/8	6.0
-J	BACKWATER VALVE		-6H	6	2-1/4	1-1/8	5-1/4	7.8
-80	PERFORATED STAINLESS STEEL BASKET		-7H	7	2-1/8	1	6-1/2	12.2
-VP	SECURED GRATE, VANDAL-PROOF SCREWS		-8H	8	2-1/2	1	7-1/8	16.1
-TSI	TRAP SEAL INSERT							

WARNING: Cancer and Reproductive Harm - www.P65Warnings.ca.gov

DATE OF LAST CHANGE: 03/13/19

DIMENSIONS ARE SUBJECT TO MANUFACTURERS TOLERANCES AND CHANGE WITHOUT NOTICE. WE CAN ASSUME NO RESPONSIBILITY FOR USE OF SUPERSEDED OR VOID DATA.



MICHIGAN CITY, INDIANA

NOTES