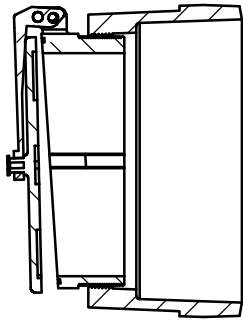


SPECIFICATION:

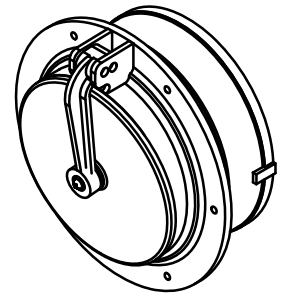
JOSAM 67800 SERIES COATED CAST IRON BACKWATER VALVE. TERMINAL TYPE. BRONZE SWING-CHECK ASSEMBLY AND HUB (EXTRA HEAVY-DUTY) INLET CONNECTION.

BACKWATER VALVE
SWING-CHECK TERMINAL TYPE

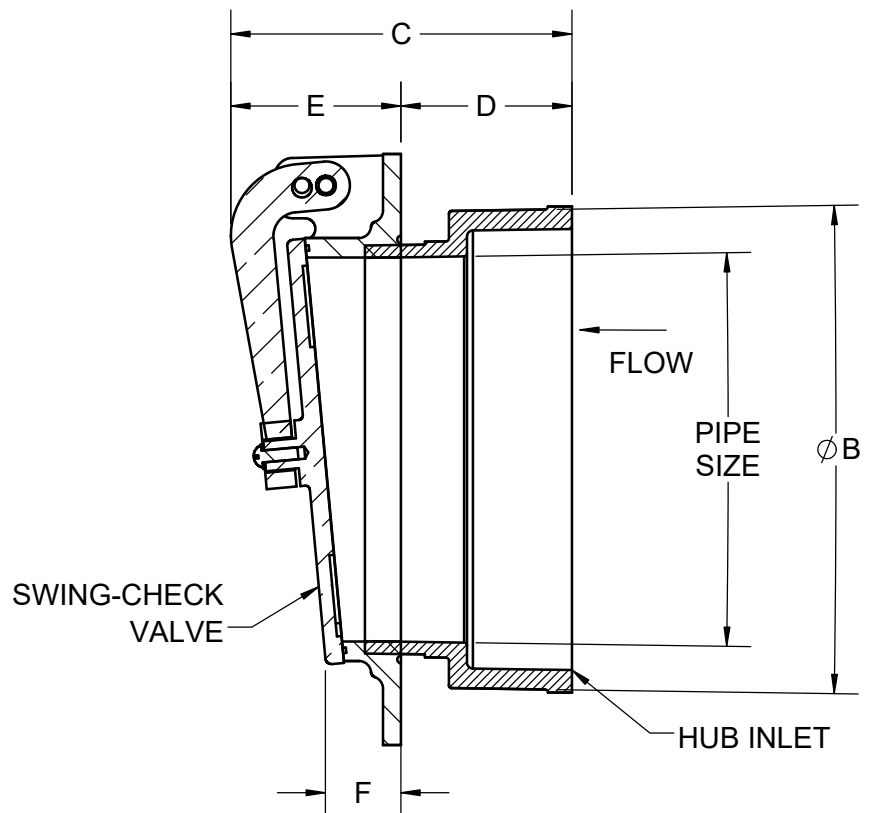
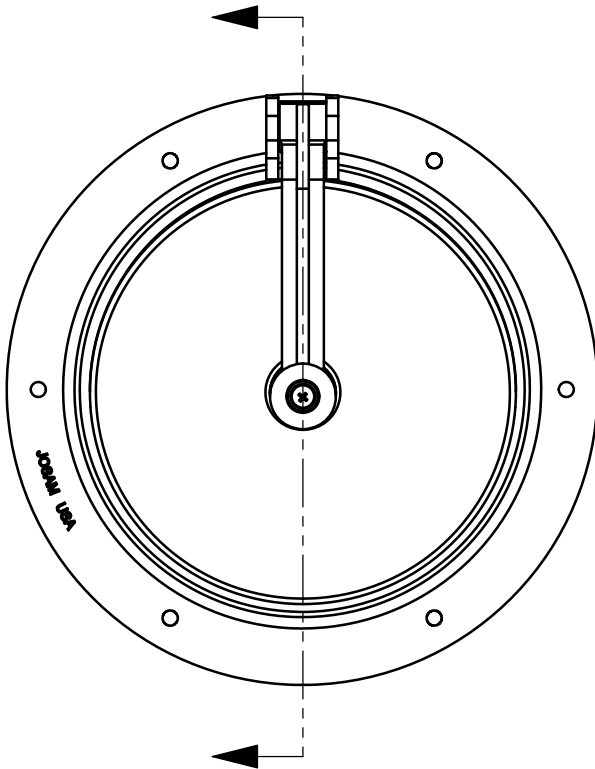
SERIES **67800**



67806
SHOWN WITH -15 OPTION



67808



NOTE: SWING-CHECK VALVE NORMALLY HANGS IN CLOSED POSITION BUT CAN BE SET TO HANG OPEN BY SPECIFYING (-15) OPEN FLAP OPTION.

*67808 BACKWATER VALVE USES A CAST IRON SEAT IN PLACE OF A BRONZE SEAT. CAST IRON HUB THREADS INTO FLANGED CAST IRON SEAT.

-4	BRONZE SEAT
-15	OPEN FLAP

PIPE SIZE	B	C	D	E	F
6"	7-7/8	5-5/8	3-7/8	1-3/4	3/4
8"	10	7-1/4	3-1/2	3-3/4	1-1/2

DATE OF LAST CHANGE: 09/29/17

DIMENSIONS ARE SUBJECT TO MANUFACTURERS TOLERANCES AND CHANGE WITHOUT NOTICE. WE CAN ASSUME NO RESPONSIBILITY FOR USE OF SUPERSEDED OR VOID DATA.

JOSAM COMPANY
MICHIGAN CITY, INDIANA

NOTES