

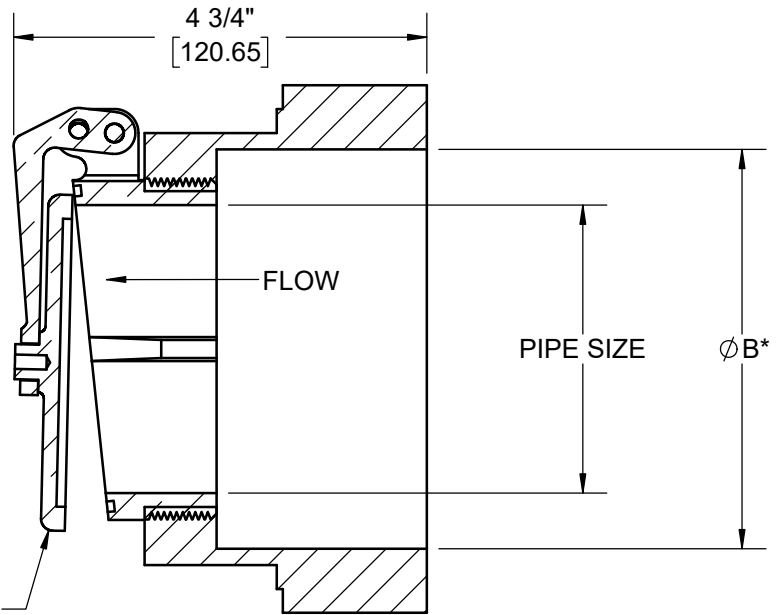
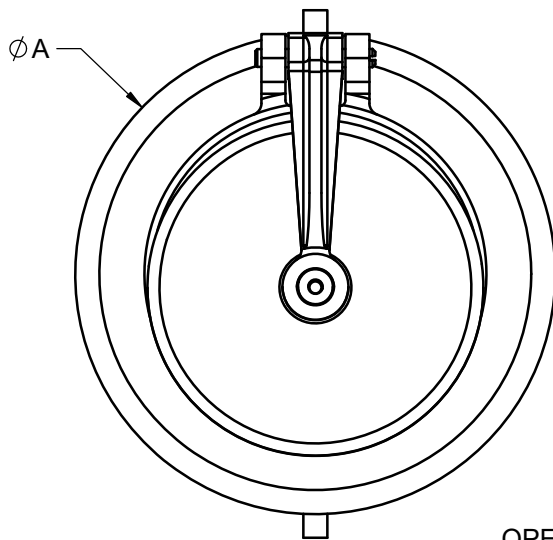
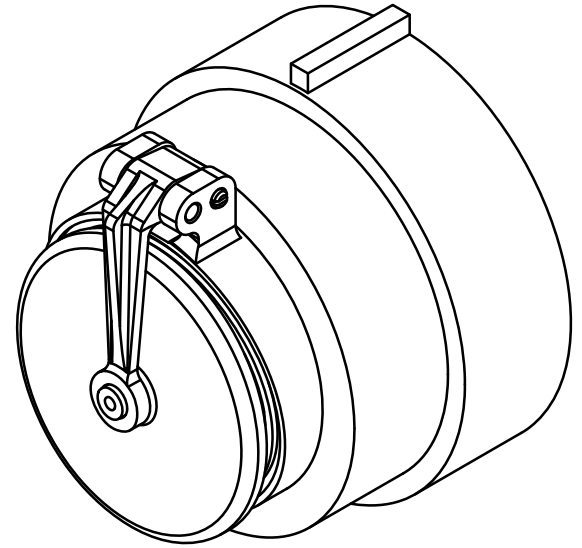
SPECIFICATION:

JOSAM 67720 SERIES COATED CAST IRON BACKWATER VALVE, TERMINAL TYPE, BRONZE SWING-CHECK ASSEMBLY AND HUB INLET CONNECTION.

**BACKWATER VALVE
SWING-CHECK TERMINAL TYPE**

SERIES **67720**

NOTE:
SWING-CHECK VALVE NORMALLY HANGS IN CLOSED POSITION BUT CAN BE SET TO HANG OPEN BY SPECIFYING (-15) OPEN FLAP OPTION



-15
OPEN FLAP
POSITION SHOWN

* MEETS ASTM A-74 XH CAST IRON SOIL PIPE STANDARD

-15	OPEN FLAP
-----	-----------

TYPE	PIPE SIZE	"A" DIM	"B" DIM
67723	3"	5	4-1/4
67724	4"	6-1/4	5-3/8

WARNING: Cancer and Reproductive Harm - www.P65Warnings.ca.gov

DATE OF LAST CHANGE: 05/23/18

DIMENSIONS ARE SUBJECT TO MANUFACTURERS TOLERANCES AND CHANGE WITHOUT NOTICE. WE CAN ASSUME NO RESPONSIBILITY FOR USE OF SUPERSEDED OR VOID DATA.

JOSAM

MICHIGAN CITY, INDIANA

NOTES