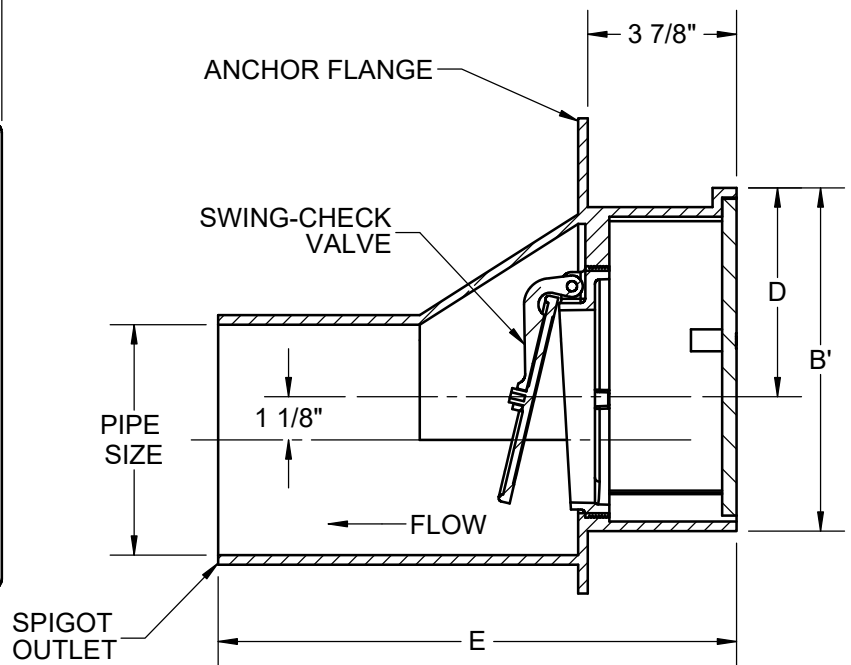
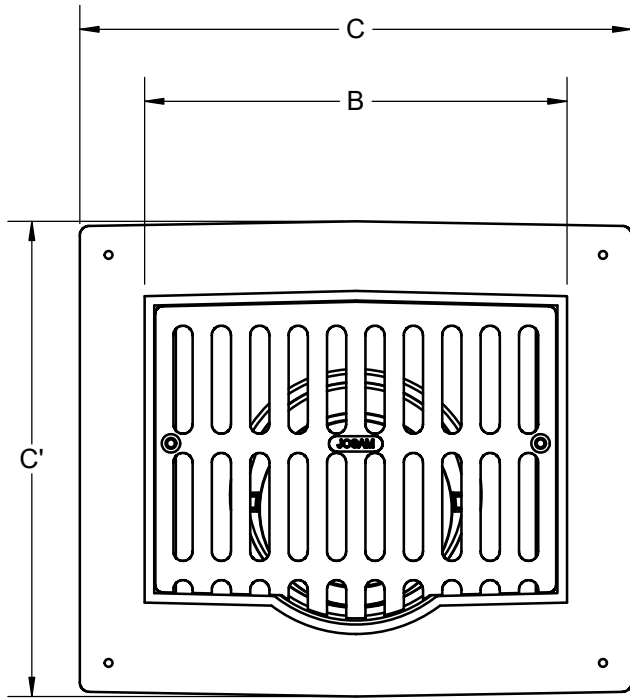
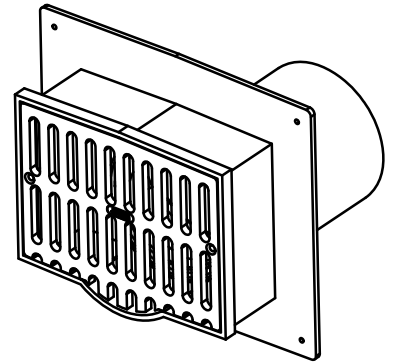


SPECIFICATION:

JOSAM 67650 SERIES COATED CAST IRON BACKWATER VALVE, PIT TYPE, BRONZE SWING-CHECK ASSEMBLY, VERTICAL INLET GRATE AND SPIGOT OUTLET CONNECTION.

BACKWATER VALVE
COMBINED DRAIN/SWING-CHECK

SERIES **67650**



WARNING: Cancer and Reproductive Harm - www.P65Warnings.ca.gov

PIPE SIZE	BXB'	CXC'	D	E	GRATE FREE AREA
3"	9-5/16 X 7-5/8	12-3/4 X 10-7/8	5-1/8	13	19
4"	9-5/16 X 7-5/8	12-3/4 X 10-7/8	5-1/8	13	19
6"	11 X 8-7/8	14-3/4 X 12-3/8	5-1/2	14	22

-1	SATIN FINISH NIKALOY FACE
-2	SATIN FINISH BRONZE FACE
-5	GALVANIZED CAST IRON PARTS

-25	FLASHING CLAMP DEVICE
-VP	SECURED FACE, VANDAL-PROOF SCREWS
-LBV	LESS BACKWATER VALVE

DATE OF LAST CHANGE: 05/23/18

DIMENSIONS ARE SUBJECT TO MANUFACTURERS TOLERANCES AND CHANGE WITHOUT NOTICE. WE CAN ASSUME NO RESPONSIBILITY FOR USE OF SUPERSEDED OR VOID DATA.

JOSAM
MICHIGAN CITY, INDIANA

NOTES