

**SPECIFICATION:**

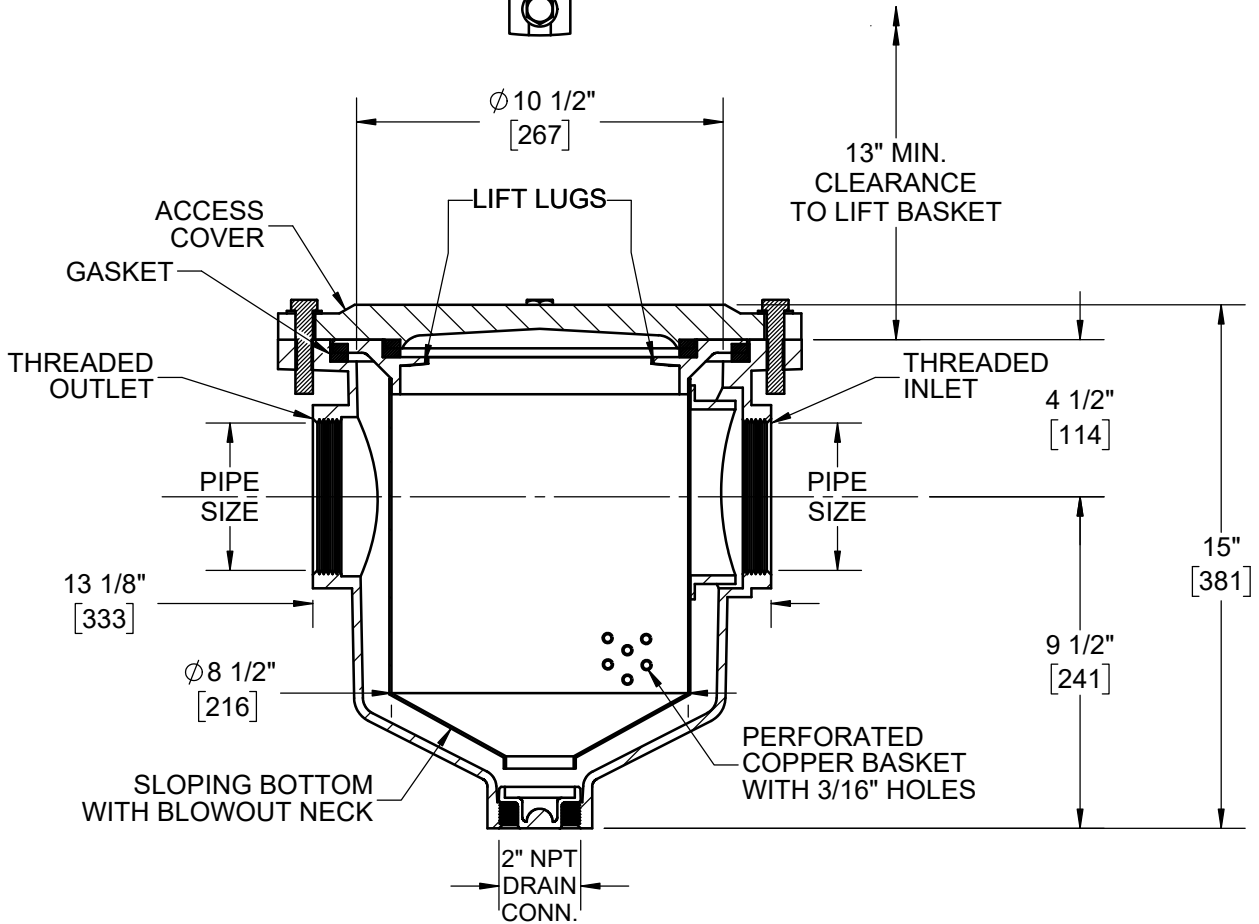
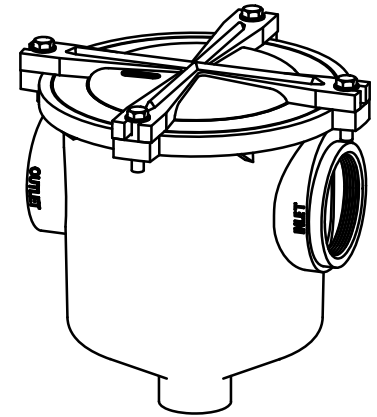
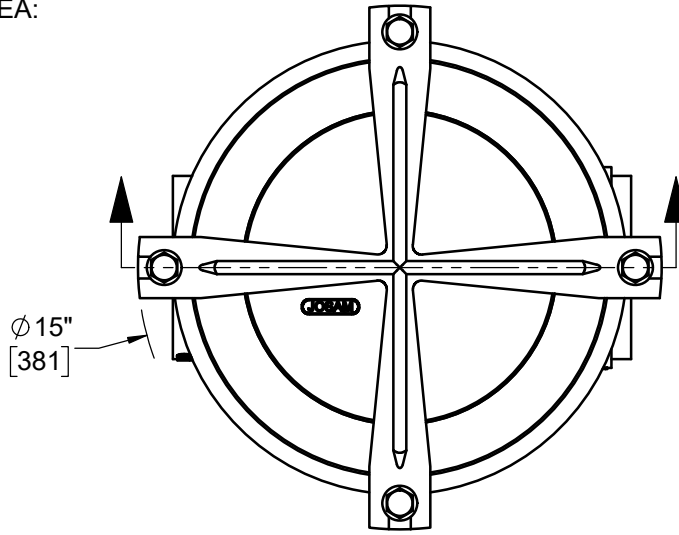
JOSAM 61070 SERIES CAST IRON SOLIDS INTERCEPTOR WITH ACID RESISTING COATING, TOP ACCESS, IN-LINE TYPE, THREADED CONNECTIONS, 2" THREADED DRAIN OR BLOW-OFF CONNECTION, REMOVABLE PERFORATED COPPER BASKET WITH CONICAL SOLID BOTTOM, GASKETED CAST IRON SUPPORT RIM AND GASKETED COVER SEALED ON BASKET SUPPORT RIM SECURED WITH HEX HEAD BOLTS.

**SOLIDS INTERCEPTOR  
TOP ACCESS IN-LINE TRAP**

SERIES

**61070**

BASKET FREE AREA:  
85.0 SQ. INCHES



-4	GALVANIZED CAST IRON PARTS
-15	STAINLESS STEEL BASKET
-86	FLAT BOTTOM BASKET

PIPE SIZE	GPM
2"	20
3"	55
4"	100

WARNING: Cancer and Reproductive Harm - www.P65Warnings.ca.gov

DATE OF LAST CHANGE: 06/18/18

DIMENSIONS ARE SUBJECT TO MANUFACTURERS TOLERANCES AND CHANGE WITHOUT NOTICE. WE CAN ASSUME NO RESPONSIBILITY FOR USE OF SUPERSEDED OR VOID DATA.

**JOSAM**

MICHIGAN CITY, INDIANA

NOTES