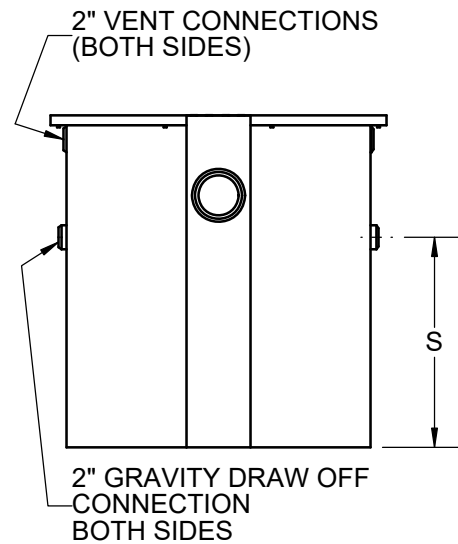
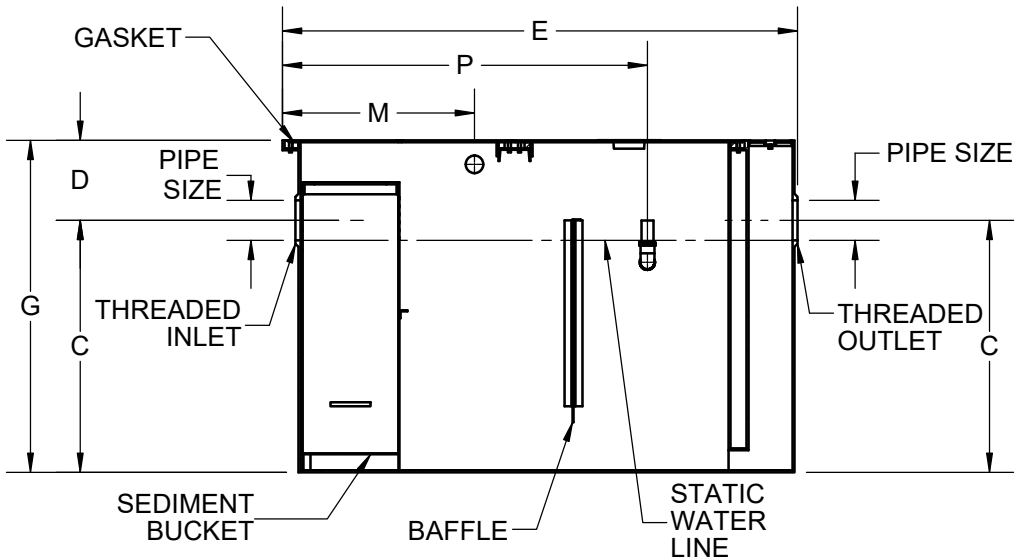
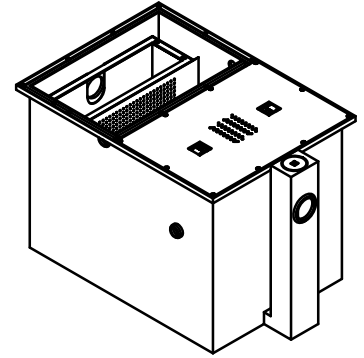
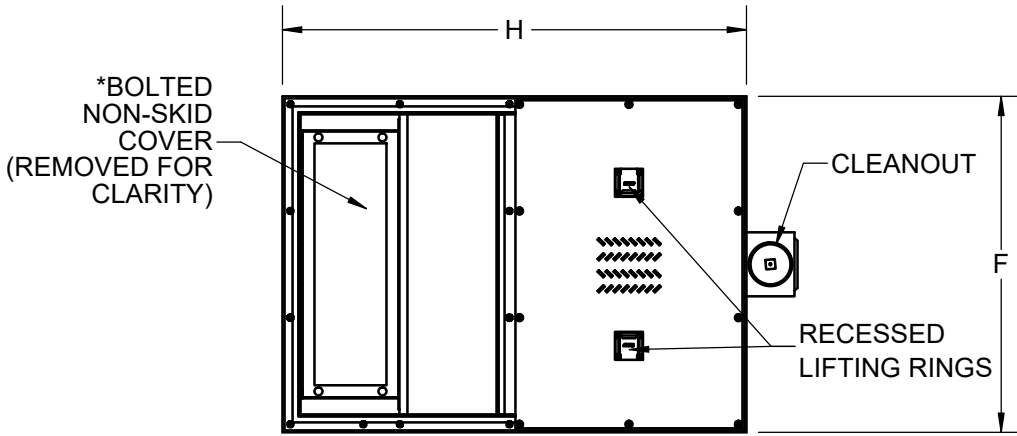


SPECIFICATION:

JOSAM 60610A SERIES EPOXY COATED FABRICATED STEEL OIL SEPARATOR, HIGH-VOLUME, THREADED CONNECTIONS, VISIBLE DOUBLE WALL TRAP AND SEDIMENT BUCKET, ADJUSTABLE GRAVITY DRAW-OFF EITHER SIDE, TWO VENT CONNECTIONS ON EACH SIDE, GASKETED NON-SKID COVER AND FLOW-CONTROL FITTING.

**OIL SEPARATOR
DRAW-OFF,
HIGH-VOLUME TYPE**

SERIES **60610A**



Δ	-EXT	EXTENSION, 6" STANDARD (SPECIFY EXT. HEIGHT)
	-EXT-60	EXTENSION, 6" STANDARD (SPECIFY EXT. HEIGHT) WITH ANCHOR FLANGE
	-HD	HEAVY-DUTY COVER (MUST SPECIFY WITH SEPARATOR ORDER)

Δ SEPARATE SUBMITTAL FOR THIS OPTION AVAILABLE *THESE SIZES FURNISHED WITH ONE-PIECE COVER

	TYPE	FLOW RATE	PIPE SIZE	C	D	E	F	G	H	M	P	S
	*60611A	75	3	21	6	48	31	27	41	20-3/4	31	13-1/2
	*60612A	100	4	23	8	54	35	31	47	24	36-1/2	15-1/4
	*60613A	150	4	27	8	60	39	35	53	27	41-1/2	19-1/4
	60614A	200	5	31-1/2	10	67	42	41-1/2	58	29-5/8	45-5/8	26-1/4
	60615A	250	5	35-1/2	10	72	46	45-1/2	63	32-3/4	50-1/4	29-3/4
	60616A	350	6	39-1/2	12	80	52	51-1/2	71	36-1/2	56-1/4	34-1/4
	60617A	500	6	43-1/2	12	91	59	55-1/2	82	43	66	38-1/4

PRODUCT IS NON-CANCELABLE AND NON-RETURNABLE NAME: _____ SIGNATURE: _____ DATE: _____

WARNING: Cancer and Reproductive Harm - www.P65Warnings.ca.gov

DATE OF LAST CHANGE: 08/21/19

DIMENSIONS ARE SUBJECT TO MANUFACTURERS TOLERANCES AND CHANGE WITHOUT NOTICE. WE CAN ASSUME NO RESPONSIBILITY FOR USE OF SUPERSEDED OR VOID DATA.



NOTES