

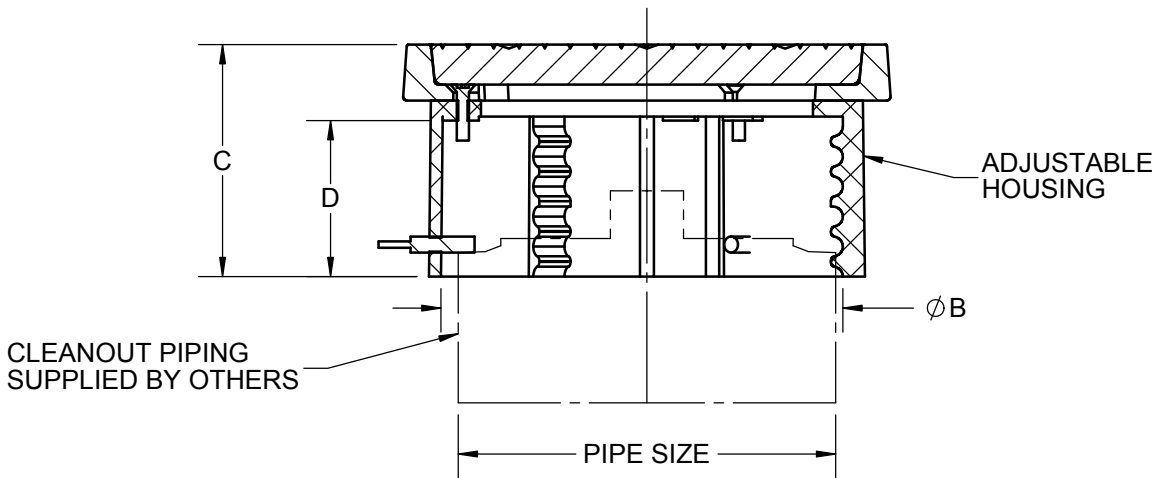
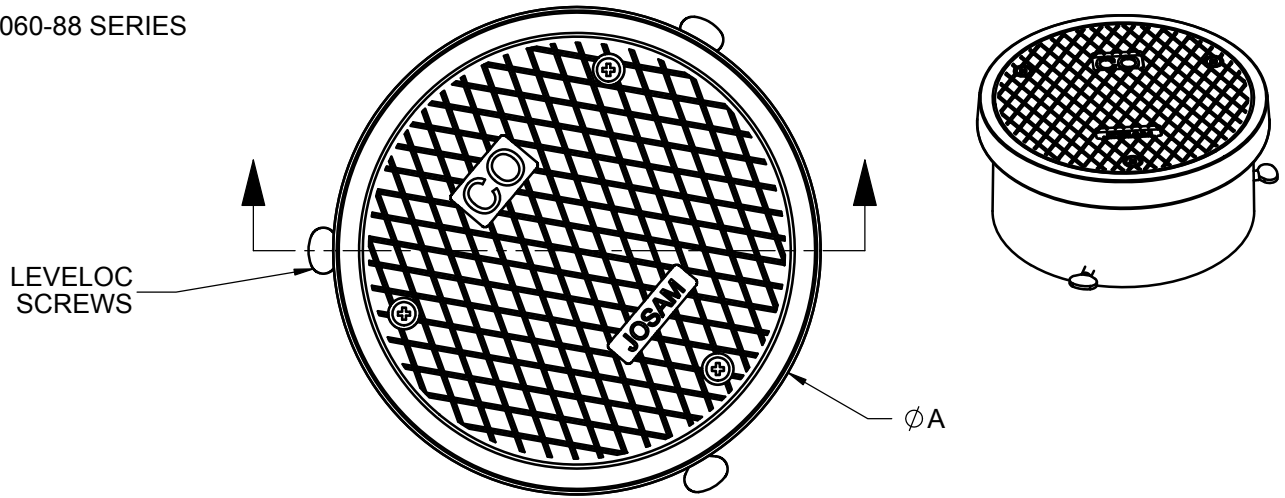
SPECIFICATION:

JOSAM 58580 SERIES ABS FLOOR ACCESS HOUSING WITH SPECIAL-DUTY SCORIATED SECURED ROUND CAST IRON TOP AND LEVELOC® SCREWS

CLEANOUT ACCESS HOUSING & COVER

SERIES **58580**

FORMERLY 56060-88 SERIES



Δ	-1	SATIN FINISH NIKALOY TOP
Δ	-1-SD	SPECIAL-DUTY SATIN FINISH NIKALOY TOP
Δ	-1-SQ	SQUARE TOP, SATIN FINISH NIKALOY
	-2	SATIN FINISH BRONZE TOP
	-2-SD	SPECIAL-DUTY SATIN FINISH BRONZE TOP
	-2-SQ	SQUARE TOP, SATIN FINISH BRONZE
	-5	DUCTILE IRON TOP

Δ SEPARATE SUBMITTAL FOR THIS OPTION AVAILABLE

PIPE SIZE	A	*B	C	D
2"	6	3-3/16	3-7/8	2-9/16
3"	7-5/8	5-3/16	3-7/8	2-9/16
4"	7-5/8	5-3/16	3-7/8	2-9/16
5"	9-3/4	7-3/8	3-7/8	2-9/16
6"	9-3/4	7-3/8	3-7/8	2-9/16

* MAXIMUM SPACE AVAILABLE FOR PIPE FITTING ENCLOSURE ETC.

WARNING: Cancer and Reproductive Harm - www.P65Warnings.ca.gov

DATE OF LAST CHANGE: 5/24/18

DIMENSIONS ARE SUBJECT TO MANUFACTURERS TOLERANCES AND CHANGE WITHOUT NOTICE. WE CAN ASSUME NO RESPONSIBILITY FOR USE OF SUPERSEDED OR VOID DATA.



NOTES