

SPECIFICATION:

JOSAM 49500-NB SERIES ROUND CAST IRON 3-9/16" DEEP SUPER-FLO-SEPTOR® FLOOR SINK WITH ACID RESISTING INTERIOR, DOUBLE DRAINAGE FLANGE WITH WEEPHOLES, INSIDE CAULK BOTTOM OUTLET, ALUMINUM INTERNAL DOME STRAINER, NIKALOY SANITARY SLOPED RIM AND NIKALOY LIGHTY-DUTY SUPER FLO® ANTI-TILTING GRATE.

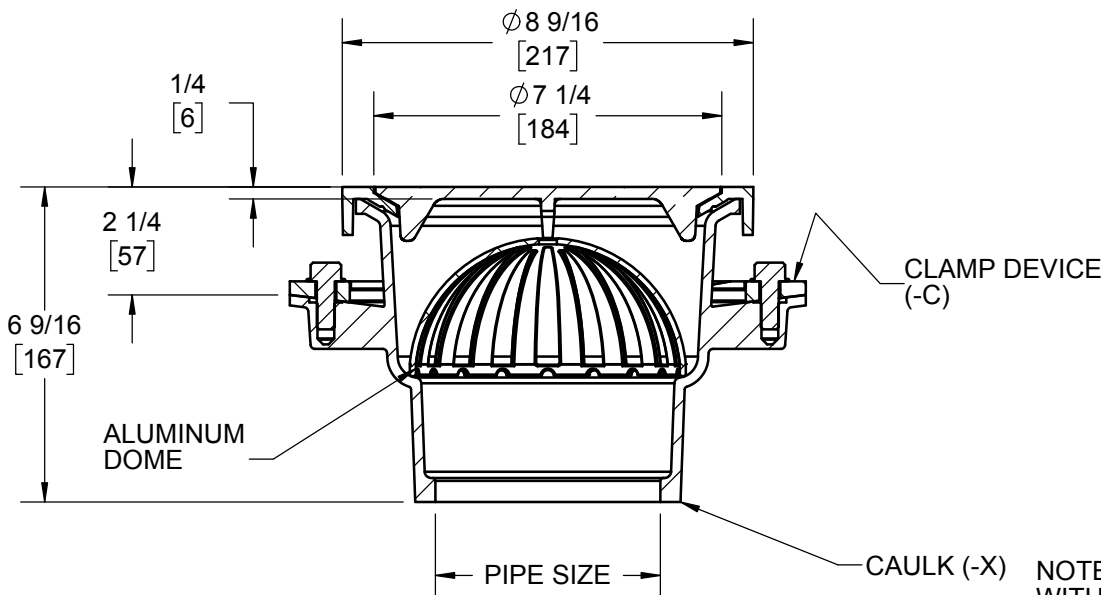
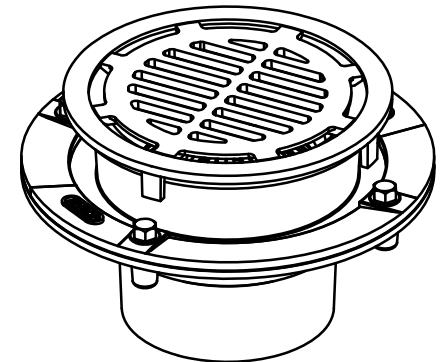
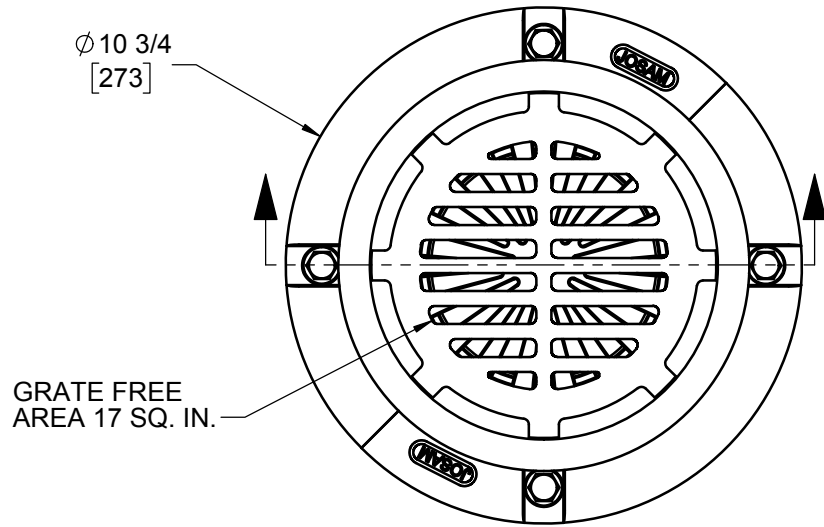
SANITARY FLOOR SINK

8" ROUND TOP, 3" DEEP

SERIES **49500-NB**

SLOT WIDTH 3/8"

FORMERLY 49200 SERIES



PIPE SIZE
2"
3"
4"

NOTE: 49502 USES 49503 BODY WITH 3x2 REDUCER

Δ	-LF	LESS FLANGE
X	-NB	NICKEL BRONZE TRAFFIC TOP
	-LG	LESS GRATE
	-3	HALF (1/2) GRATE
	-4	THREE-QUARTER (3/4) GRATE
	-7	FULL GRATE WITH 2-1/2" CENTER OPENING
	-8	ALUMINUM DEPRESSED GRATE
	-VP	SECURED GRATE, VANDAL-PROOF SCREWS
	-16	GRATE WITH 4" ROUND FUNNEL
	-17	GRATE WITH 6" ROUND FUNNEL
	-18	GRATE WITH 9" x 3-1/2" OVAL FUNNEL

	-31	SEDIMENT BUCKET, ALUMINUM
	-33	SEDIMENT BUCKET, ACID RESISTANT FINISH
*	-35	BUCKET LINER (STAINLESS STEEL MESH)
	-43	INTERNAL DOME STRAINER, ACID RESISTANT FINISH
	-45	LESS INTERNAL DOME STRAINER
	-51	GALV. CAST IRON, INSIDE AND OUTSIDE (NO ARE)
	-52	PAINTED, INSIDE AND OUTSIDE (NO ARE)
	-55	1/2" PRIMER ADAPTER, 88450 PROVIDED
	-C	CLAMP DEVICE
	-X	INSIDE CAULK OUTLET

Δ SEPARATE SUBMITTAL FOR THIS OPTION AVAILABLE

*MUST ALSO SPECIFY -31, -33 OPTION

DATE OF LAST CHANGE: 7/06/18

DIMENSIONS ARE SUBJECT TO MANUFACTURERS TOLERANCES AND CHANGE WITHOUT NOTICE. WE CAN ASSUME NO RESPONSIBILITY FOR USE OF SUPERSEDED OR VOID DATA.

JOSAM
MICHIGAN CITY, INDIANA

NOTES

WARNING: Cancer and Reproductive Harm - www.P65Warnings.ca.gov