

SPECIFICATION:

JOSAM 49300 SERIES SQUARE CAST IRON 5-7/8" DEEP SUPER-FLO-SEPTOR® FLOOR SINK WITH ACID RESISTING INTERIOR, DOUBLE DRAINAGE FLANGE WITH WEEPHOLES, BOTTOM OUTLET, ALUMINUM INTERNAL DOME STRAINER AND CAST IRON NON-TRAFFIC, ACID RESISTING, ANTI-TILTING, SUPER-FLO® GRATE.

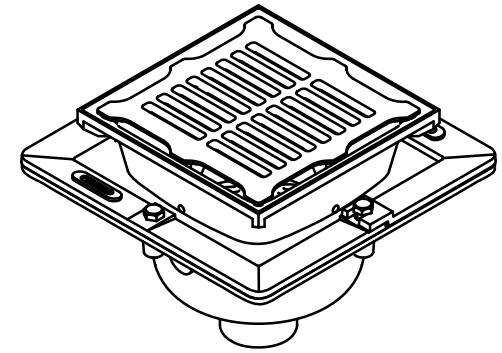
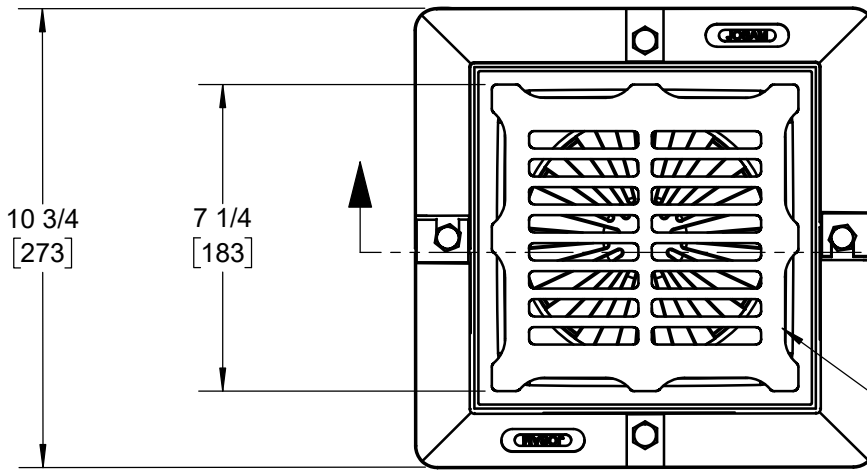
SANITARY FLOOR SINK

8" SQUARE TOP, 6" DEEP

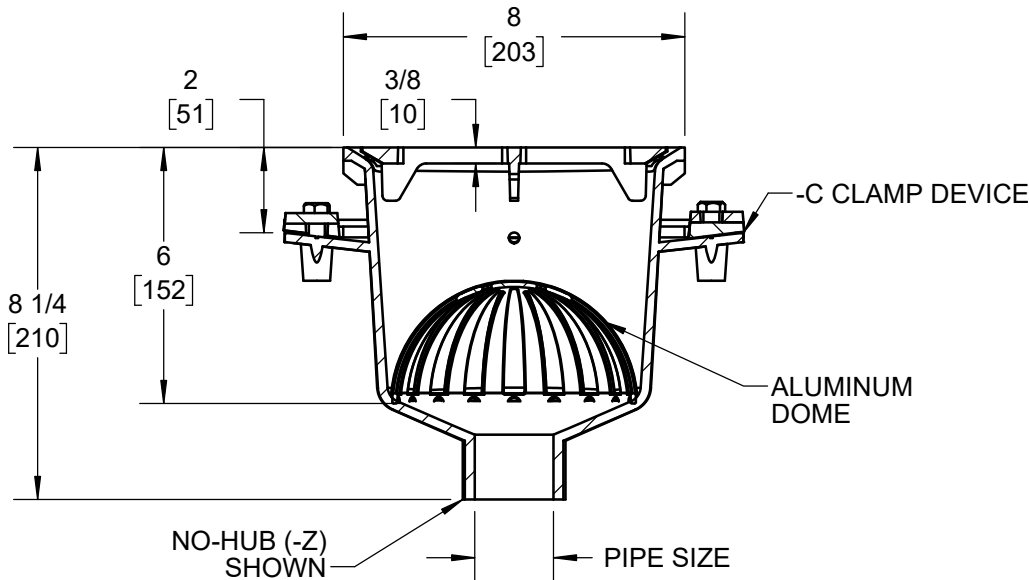
SERIES

49300

SLOT WIDTH 7/16" (MEETS ADA)



GRATE FREE AREA 21 SQ. IN.



PIPE SIZE	
	2"
	3"
	4"

Δ	-LF	LESS FLANGE
Δ	-NB	NICKEL BRONZE TRAFFIC TOP
	-HG	HINGED GRATE (-NB ONLY)
	-LG	LESS GRATE
	-3	HALF (1/2) GRATE
	-4	THREE-QUARTER (3/4) GRATE
	-7	FULL GRATE WITH 2-1/2" CENTER OPENING
	-8	STAINLESS STEEL DEPRESSED GRATE
	-16	GRATE WITH 4" ROUND FUNNEL
	-17	GRATE WITH 6" ROUND FUNNEL
	-18	GRATE WITH 9" x 3-1/2" OVAL FUNNEL

	-31	SEDIMENT BUCKET, ALUMINUM
	-33	SEDIMENT BUCKET, ACID RESISTANT FINISH
*	-35	BUCKET LINER (STAINLESS STEEL MESH)
	-43	INTERNAL DOME STRAINER, ACID RESISTANT FINISH
	-45	LESS INTERNAL DOME STRAINER
	-55	1/2" PRIMER ADAPTER, 88450 PROVIDED
	-C	CLAMP DEVICE
	-TGI	TRAP GUARD INSERT
	-X	INSIDE CAULK OUTLET
	-Z	NO-HUB OUTLET

Δ SEPARATE SUBMITTAL FOR THIS OPTION AVAILABLE

*MUST ALSO SPECIFY -31 OR -33 OPTION

DATE OF LAST CHANGE: 09/15/21

DIMENSIONS ARE SUBJECT TO MANUFACTURERS TOLERANCES AND CHANGE WITHOUT NOTICE. WE CAN ASSUME NO RESPONSIBILITY FOR USE OF SUPERSEDED OR VOID DATA.

JOSAM

MICHIGAN CITY, INDIANA

NOTES