

SPECIFICATION:

JOSAM 37830 SERIES COATED CAST IRON FLOOR DRAIN, DOUBLE DRAINAGE FLANGE, SEEPAGE SLOTS, BOTTOM OUTLET, SQUARE TOP AND HEAVY-DUTY HINGED LATCHING GRATE AND REMOVABLE SEDIMENT BUCKET.

FLOOR DRAIN

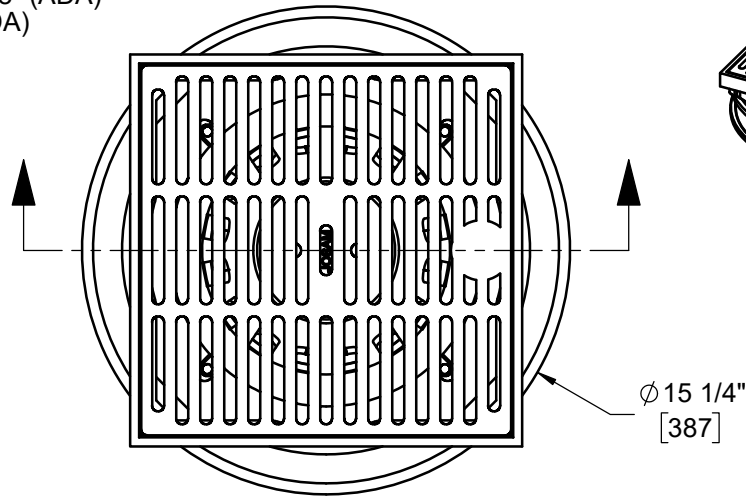
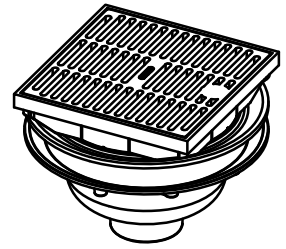
12" TOP WITH LATCHING GRATE

SERIES

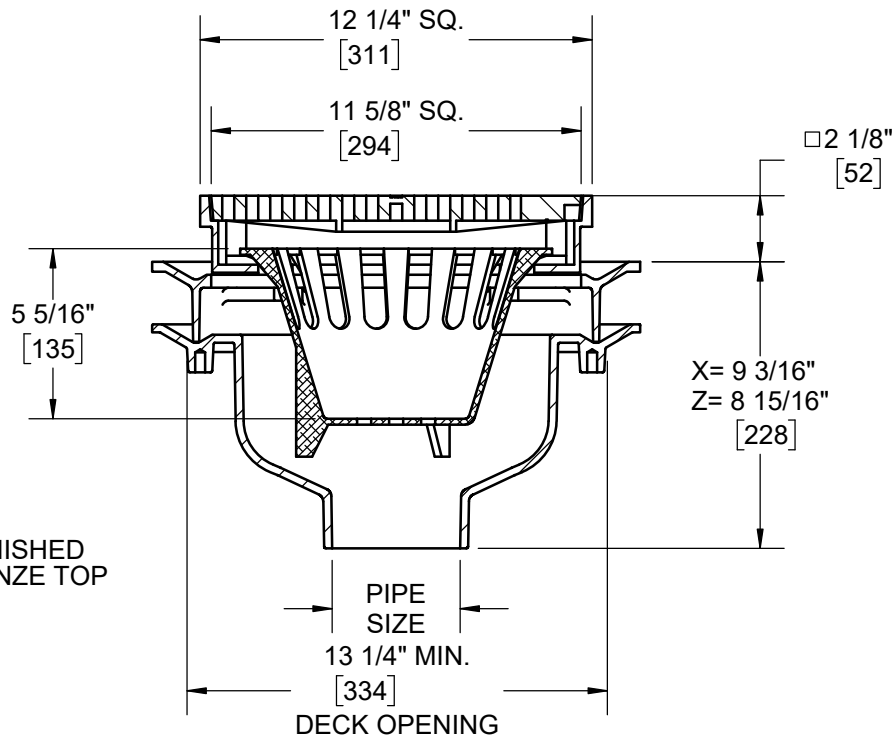
37830

FORMERLY 35620A SERIES

GRATE FREE AREA: 54 IN²
 STD. CAST IRON SLOT WIDTH: 3/8" (ADA)
 -19 AND -20 SLOT WIDTH 3/8" (ADA)



| | PIPE SIZE |
|--|-----------|
| | 2" |
| | 3" |
| | 4" |
| | 5" |
| | 6" |



□ ADD 1/4" WHEN FURNISHED WITH NIKALOY OR BRONZE TOP

| | |
|-----|---|
| -7 | DUCTILE IRON GRATE |
| -19 | HEAVY-DUTY UNDERGRATE, SATIN FINISH NIKALOY TOP |
| -20 | HEAVY-DUTY UNDERGRATE, SATIN FINISH BRONZE TOP |
| -21 | LOOSE-SET GRATE |
| -22 | LESS LATCHING GRATE |
| -49 | 3/4" PRIMER TAP |
| -50 | 1/2" PRIMER TAP |

| | |
|------|-----------------------------------|
| -66 | NO-HUB SIDE OUTLET |
| -69 | LIFT HANDLE FOR SEDIMENT BUCKET |
| -84 | STAINLESS STEEL MESH BUCKET LINER |
| -92 | GALVANIZED CAST IRON PARTS |
| -TSI | TRAP SEAL INSERT (2"-4") |
| -X | INSIDE CAULK OUTLET |
| -Z | NO-HUB SPIGOT OUTLET |

DATE OF LAST CHANGE: 03/12/19

DIMENSIONS ARE SUBJECT TO MANUFACTURERS TOLERANCES AND CHANGE WITHOUT NOTICE. WE CAN ASSUME NO RESPONSIBILITY FOR USE OF SUPERSEDED OR VOID DATA.



MICHIGAN CITY, INDIANA

NOTES