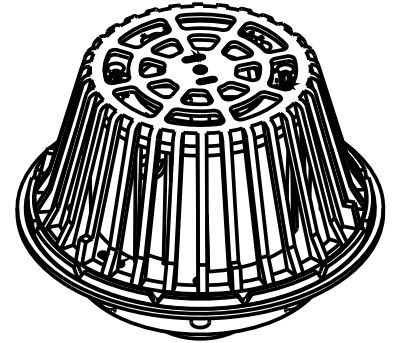
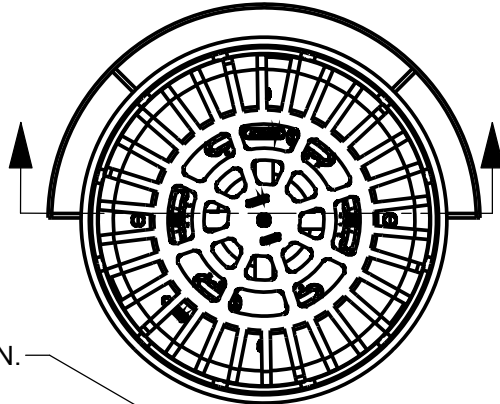


SPECIFICATION:

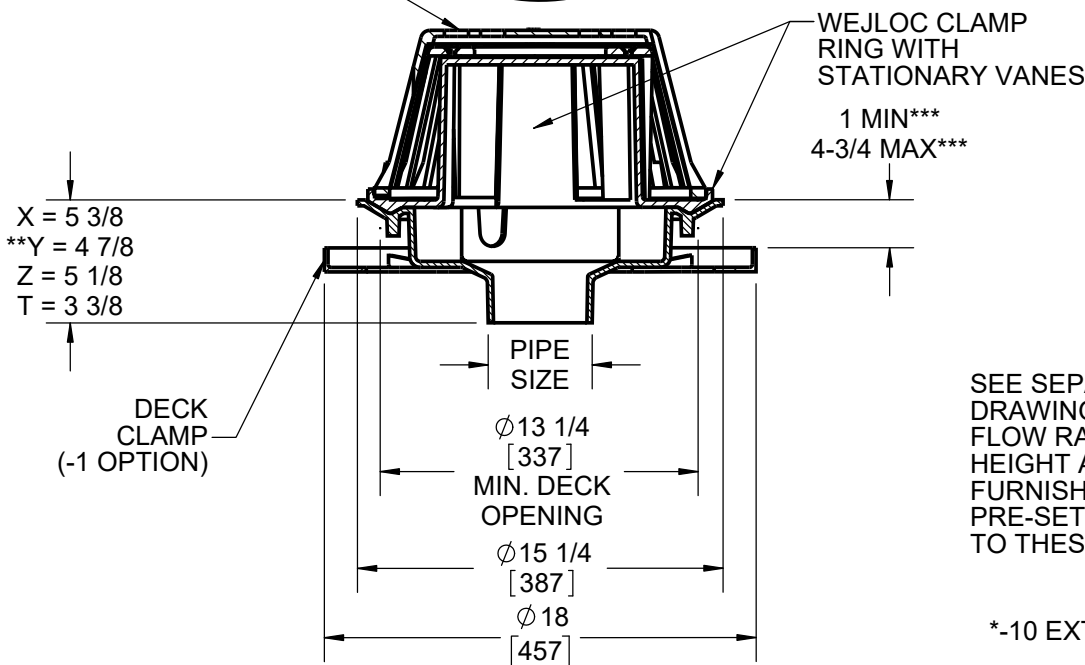
JOSAM 28600 SERIES COATED CAST IRON FLO-SET® ROOF DRAIN, LARGE SECURED DOME, ADJUSTABLE CALIBRATED VANDAL-PROOF VANE COLLAR, WEJLOC® NON-PUNCTURING CLAMP RING WITH STATIONARY VANES AND INTEGRAL GRAVEL STOP, LARGE SUMP WITH WIDE ROOF FLANGE AND BOTTOM OUTLET.

**ROOF DRAIN
FLO-SET®**

SERIES **28600**



DOME FREE AREA: 153.6 SQ. IN.



SEE SEPARATE VANE SETTING DRAWING OR SPECIFY DESIRED FLOW RATE AT MAX. HEAD HEIGHT AND DRAIN CAN BE FURNISHED WITH THE VANES PRE-SET AND VANDAL-PROOFED TO THESE SPECIFICATIONS.

*-10 EXTENSION 4" STANDARD

** GASKET FOR -Y CONNECTION CONFORMS WITH ASTM-C564

*** WITH -4 CLAMP RING
MIN 2-1/4
MAX 4-1/4

PIPE SIZE
2"
3"
4"
5"
6"

-AE	THREADED LEVELIZE ADJ. EXT.
-CR	CLAMPING DRAIN RECEIVER (MIN. DECK OPENING Ø 16")
-1	DECK CLAMP ASSEMBLY
-2	DRAIN RECEIVER
-3	DECK CLAMP ASSEMBLY AND DRAIN RECEIVER
-4	SECONDARY FLASHING CLAMP (-AE ONLY)
-10	FIXED EXTENSION COLLAR, CAST IRON (SPECIFY HEIGHT*)
-10-20	FIXED EXTENSION COLLAR, GALVANIZED (SPECIFY HEIGHT*)
-20	GALVANIZED CAST IRON PARTS
-VP	VANDAL-PROOF DOME
-66	NO-HUB SIDE OUTLET (2" THRU 6" OUTLETS ONLY)
-T	THREADED OUTLET
-X	INSIDE CAULK OUTLET
-Y	HUB OUTLET W/ GASKET (2", 3" & 4" SIZES ONLY)
-Z	NO-HUB SPIGOT OUTLET

▼ SEPARATE SUBMITTAL FOR THIS OPTION AVAILABLE

DATE OF LAST CHANGE: 08/21/18

DIMENSIONS ARE SUBJECT TO MANUFACTURERS TOLERANCES AND CHANGE WITHOUT NOTICE. WE CAN ASSUME NO RESPONSIBILITY FOR USE OF SUPERSEDED OR VOID DATA.

JOSAM
MICHIGAN CITY, INDIANA

NOTES

WARNING: Cancer and Reproductive Harm - www.P65Warnings.ca.gov