

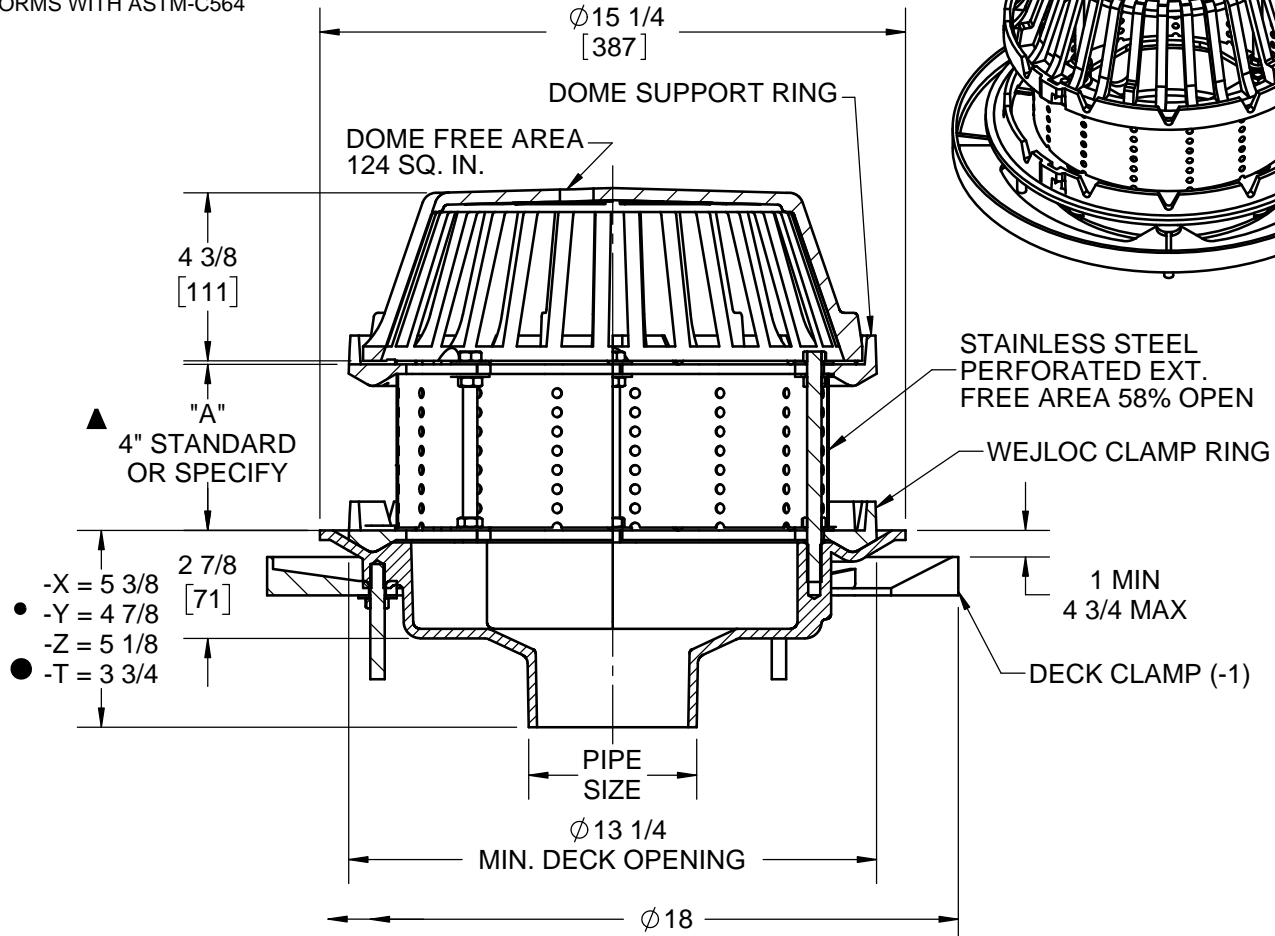
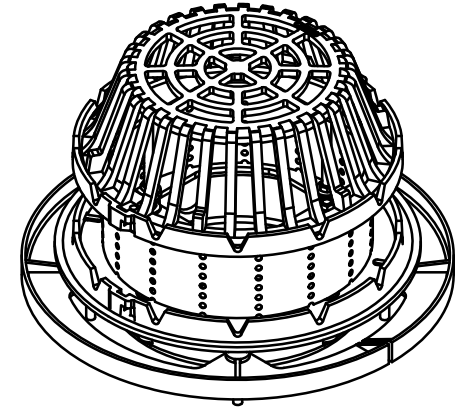
**SPECIFICATION:**

JOSAM 21500-IRMA SERIES COATED CAST IRON ROOF DRAIN, LARGE POLYPROPYLENE LOCKINGDOME, DOME SUPPORT RING, PERFORATED STAINLESS STEEL EXTENSION FILTER, WEJLOC® NON-PUNCTURING CLAMP RING WITH INTEGRAL GRAVEL STOP, LARGE SUMP WITH WIDE ROOF FLANGE AND BOTTOM OUTLET.

**ROOF DRAIN**  
WITH PERF. STAINLESS EXTENSION

SERIES **21500-IRMA**

- ▲ "A" DIM. - SPECIFY DIM. ON ORDER
- THIS DIMENSION IS 5 3/4" ON Ø8" THREADED OUTLET
- GASKET ON -Y CONNECTION CONFORMS WITH ASTM-C564



\*-16 & -17 CANNOT BE FURNISHED TOGETHER    \*\* -10 EXTENSION 4" STANDARD    ▼ SEPARATE SUBMITTAL FOR THIS OPTION AVAILABLE

	2"	PIPE SIZE			-2	DRAIN RECEIVER
	3"	PIPE SIZE			-3	DECK CLAMP ASSEMBLY AND DRAIN RECEIVER
	4"	PIPE SIZE			-3C	DRAIN RECEIVER AND DRAIN RECEIVER CLIPS
	5"	PIPE SIZE		▼	-6	EXTRA WIDE FLANGE DRAIN BODY (-X OUTLET ONLY)
	6"	PIPE SIZE			-10	FIXED EXTENSION COLLAR, CAST IRON (SPECIFY HEIGHT **)
	8"	PIPE SIZE			-10-20	FIXED EXTENSION COLLAR, GALVANIZED (SPECIFY HEIGHT **)
	10"	PIPE SIZE (AVAILABLE IN NO-HUB ONLY)			-16*	INTERNAL WATERGUARD (2" THRU 6" OUTLETS ONLY)
					-17*	2" HIGH SOLID CLAMPING COLLAR
	-X	INSIDE CAULK OUTLET			-19	CLAMP COLLAR W/PERF. STAINLESS GRAVEL GUARD
	-Y	HUB OUTLET W/GASKET (2", 3"&4" SIZES ONLY)			-20	GALVANIZED CAST IRON PARTS
	-Z	NO-HUB SPIGOT OUTLET			-22	CAST IRON DOME ONLY
	-T	THREADED OUTLET			-22-21	GALVANIZED CAST IRON DOME ONLY
					-23	ROUGH BRONZE DOME
X	-IRMA	PERFORATED STAINLESS STEEL EXTENSION			-26	ALUMINUM DOME
	-CR	CLAMPING DRAIN RECEIVER (MIN. DECK OPENING Ø16")			-33	STAINLESS STEEL MESH-COVERED DOME
					-66	NO-HUB SIDE OUTLET (2" THRU 6" OUTLETS ONLY)
	-1	DECK CLAMP ASSEMBLY				
	-1C	DRAIN RECEIVER CLIPS (MIN. DECK OPENING Ø16")			-VP	VANDAL-PROOF DOME

WARNING: Cancer and Reproductive Harm - www.P65Warnings.ca.gov

DATE OF LAST CHANGE: 03/09/20  
DIMENSIONS ARE SUBJECT TO MANUFACTURERS TOLERANCES AND CHANGE WITHOUT NOTICE. WE CAN ASSUME NO RESPONSIBILITY FOR USE OF SUPERSEDED OR VOID DATA.



NOTES