

SPECIFICATION:

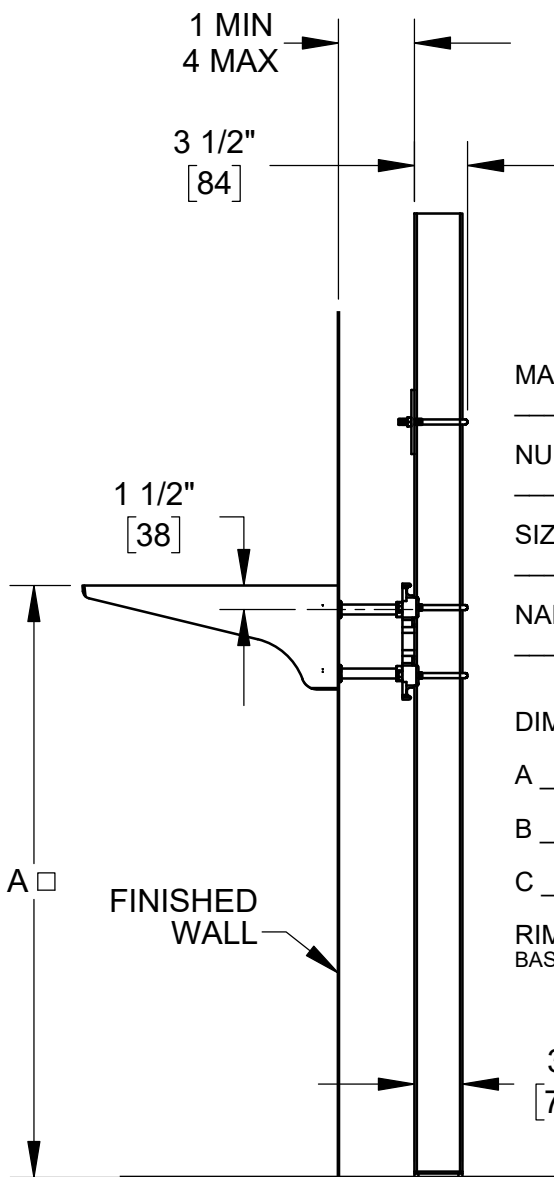
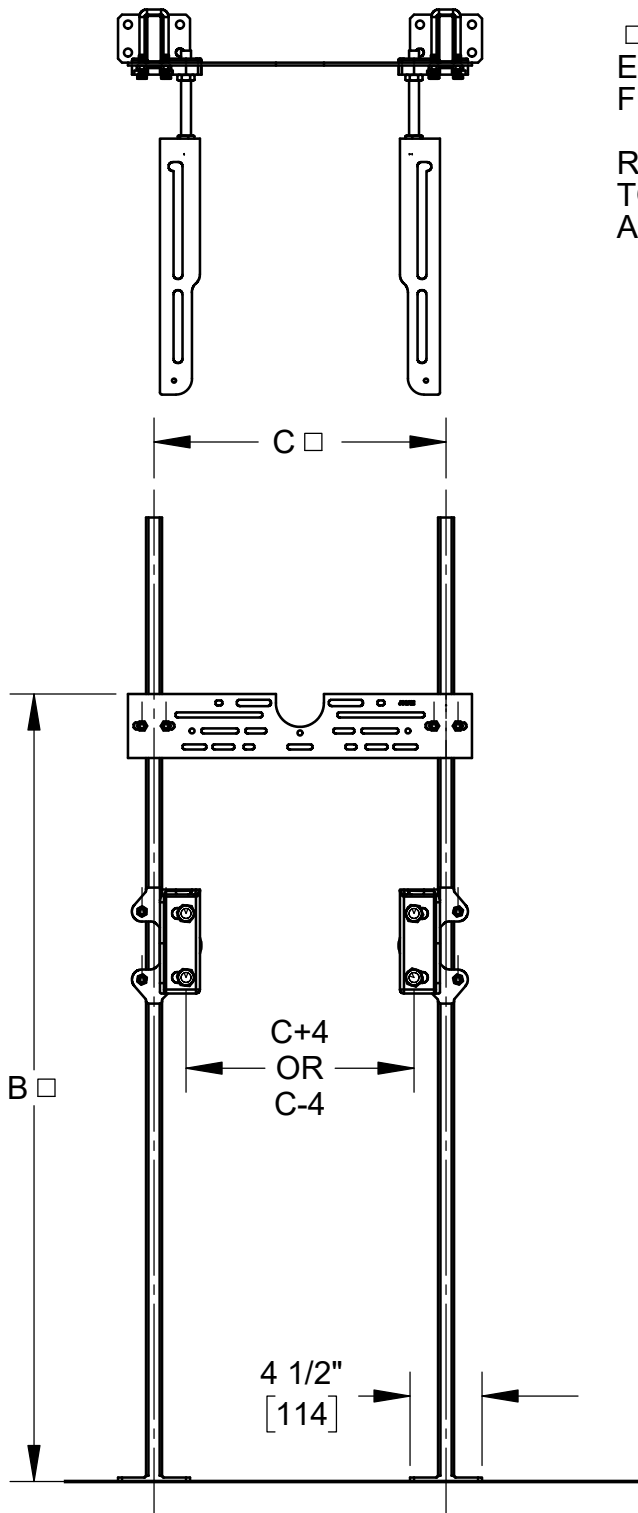
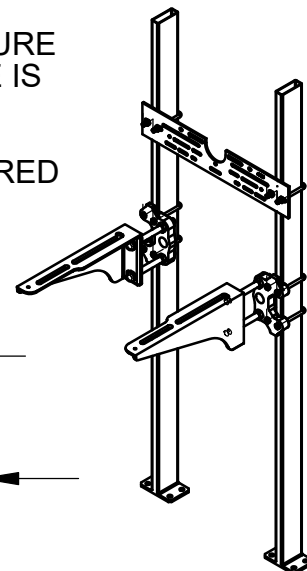
JOSAM 17720 SERIES FLOOR-MOUNTED, SINGLE, HEAVY-DUTY SINK CARRIER WITH HANGER PLATE, ADJUSTABLE SUPPORTING RODS, ACID-RESISTING WHITE COATED ARMS, LEVELING AND SECURING SCREWS, STRUCTURAL UPRIGHTS, WELDED FEET AND CHROME PLATED TRIM.

**SINK CARRIER
FLOOR-MOUNT HEAVY-DUTY**

SERIES **17720**

□ VARIABLE - DEPENDS ON FIXTURE EXCEPT WHEN STANDARD PLATE IS FURNISHED C = 18-1/4"

RECOMMEND ALL FEET BE SECURED TO FLOOR WITH 1/2" BOLTS AND ANCHOR BY OTHERS.



MANUFACTURER _____

NUMBER _____

SIZE _____

NAME _____

DIMENSIONS

A _____

B _____

C _____

RIM HEIGHT
BASED ON "A&B" DIM SHOWN

-VP	VANDAL-PROOF TRIM
-10	STUDS FOR WALLS OVER 4" (SPECIFY WALL THICKNESS)
-66	SPLIT HEADER FOR STAINLESS STEEL ARMS (SEPERATE SUBMITTAL AVAILABLE)

WARNING: Cancer and Reproductive Harm - www.P65Warnings.ca.gov

DATE OF LAST CHANGE: 05/31/18

DIMENSIONS ARE SUBJECT TO MANUFACTURERS TOLERANCES AND CHANGE WITHOUT NOTICE. WE CAN ASSUME NO RESPONSIBILITY FOR USE OF SUPERSEDED OR VOID DATA.



MICHIGAN CITY, INDIANA

NOTES