

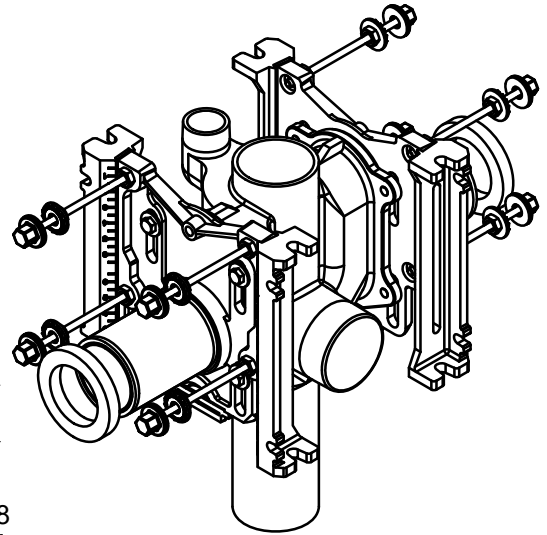
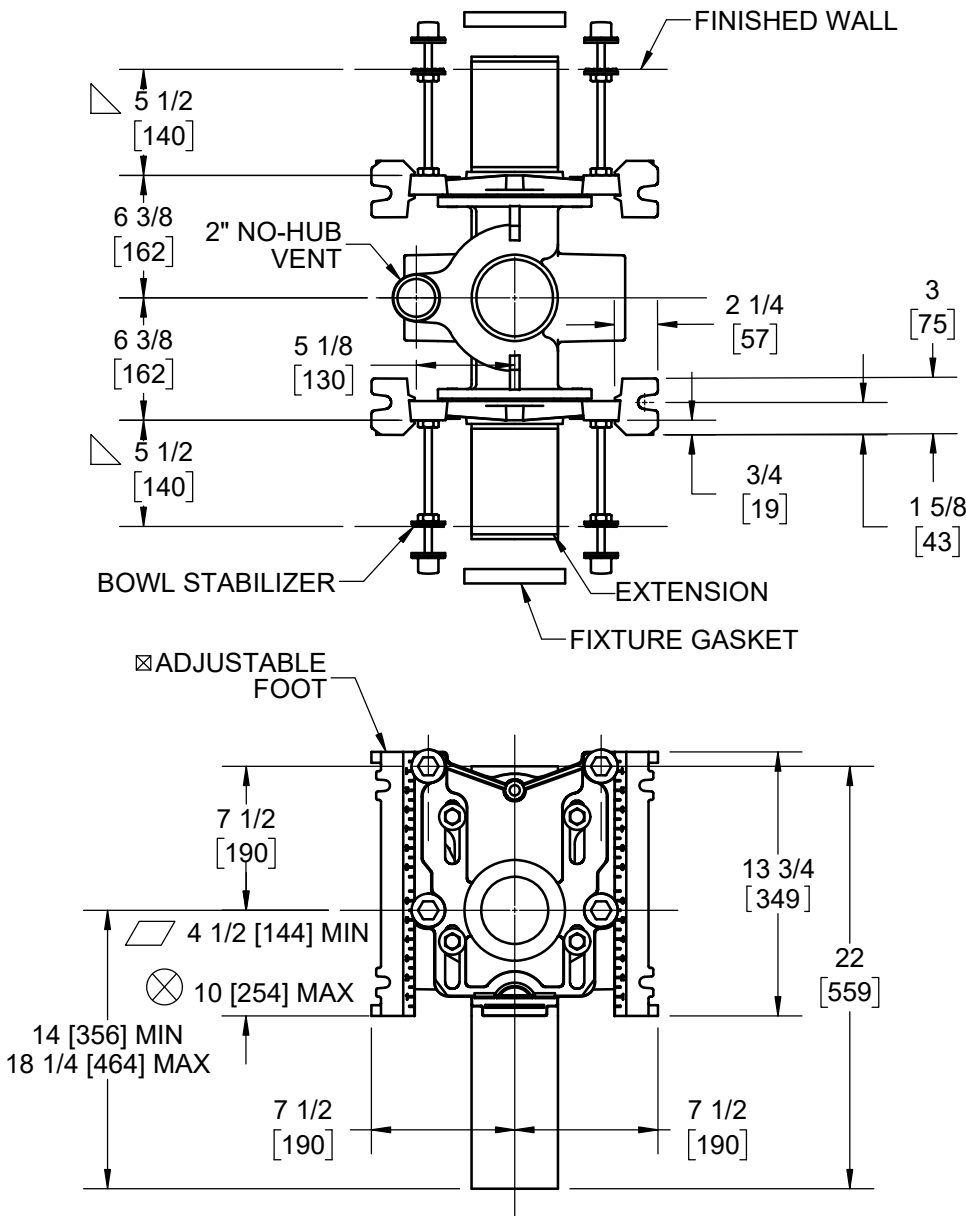
**SPECIFICATION:**

JOSAM 12724 SERIES COATED CAST IRON DOUBLE VERTICAL 4" NO-HUB ON STACK FITTING WITH 2" NO-HUB OFFSET VENT, ADJUSTABLE CARRIER BODY, INVERTIBLE FOR SIPHON JET OR BLOWOUT CLOSETS, WITH ABS EXTENSION WITH INTEGRAL TEST CAP, PYLON FEET, ANCHOR FOOT, PLATED HARDWARE AND NEOPRENE FIXTURE GASKET. CARRIER MEETS ASME REQUIREMENTS AT 500 LBS.

**CLOSET CARRIER  
VERTICAL BACK-TO-BACK**

SERIES

**12724**



△ FOR DIMENSION SHORTER THAN 5-1/2" (1" MIN) CUT EXTENSION. FOR LONGER EXTENSION (10-1/2" MAX) SPECIFY (-10)

⊠ FEET BE SECURED TO FLOOR WITH 1/2" BOLTS AND ANCHORS (BY OTHERS).

⊗ FOR SIPHON JET ROUGHING OVER 6" OR BLOWOUT ROUGHING OVER 12-1/2" SPECIFY ON ORDER.

SIPHON JET DIMS SHOWN. FOR BLOWOUT DIMS, USE:

▱ MIN 11 & MAX 16-1/2

WARNING: Cancer and Reproductive Harm - www.P65Warnings.ca.gov

-PAF	PREFAB ADJUSTABLE FOOT
-XSD	EXTRA SPECIAL-DUTY 1,000 LB CARRIER
-PF	PYLON FOOT, STD.
-OR	O-RING CARRIER
-HS	HUB & SPIGOT
-VS4	VENT SIDE 4" NO-HUB BRANCH
-OS4	OPPOSITE VENT 4" NO-HUB BRANCH
-HVS4	VENT SIDE 4" HUB BRANCH
-D4	DOUBLE 4" NO-HUB BRANCHES
-HD4	DOUBLE 4" HUB BRANCHES
-VP	VANDAL-PROOF TRIM
-1	POSITIONING FRAME

-SDH	750 LB CAPACITY CARRIER
-6	SUPPLY PIPE SUPPORT (SPECIFY TYPE OF PIPE)
-10	ABS EXTENSION THROUGH 10-1/2" WALL
-24	FLOOR MOUNTED BACK OUTLET CHINA BOWL
-30	CAST IRON ADJ. EXTENSION W/ CONNECTOR
-30-2	CAST IRON ADJ. EXTENSION W/ CONNECTOR & TEST CAP
-32	CARRIER FOR WIDE CHASE INSTALLATIONS
-35	CARRIER FOR WHEELCHAIR HIGH ROUGH
-49	2" NO-HUB AUXILIARY INLET, UNDER VENT
-50	2" NO-HUB AUXILIARY INLET, OPPOSITE VENT
-53	2" THREADED AUXILIARY INLET, UNDER VENT
-54	2" THREADED AUXILIARY INLET, OPPOSITE VENT

DATE OF LAST CHANGE: 4/20/21

DIMENSIONS ARE SUBJECT TO MANUFACTURERS TOLERANCES AND CHANGE WITHOUT NOTICE. WE CAN ASSUME NO RESPONSIBILITY FOR USE OF SUPERSEDED OR VOID DATA.



MICHIGAN CITY, INDIANA

NOTES