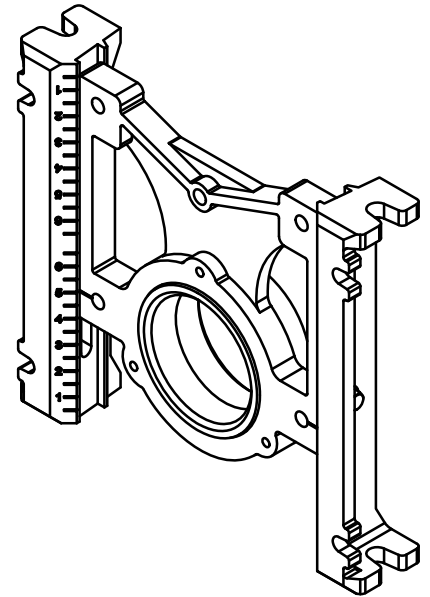
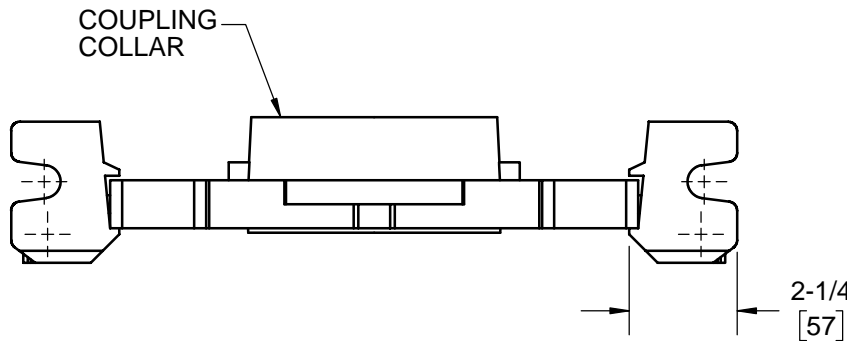


SPECIFICATION:

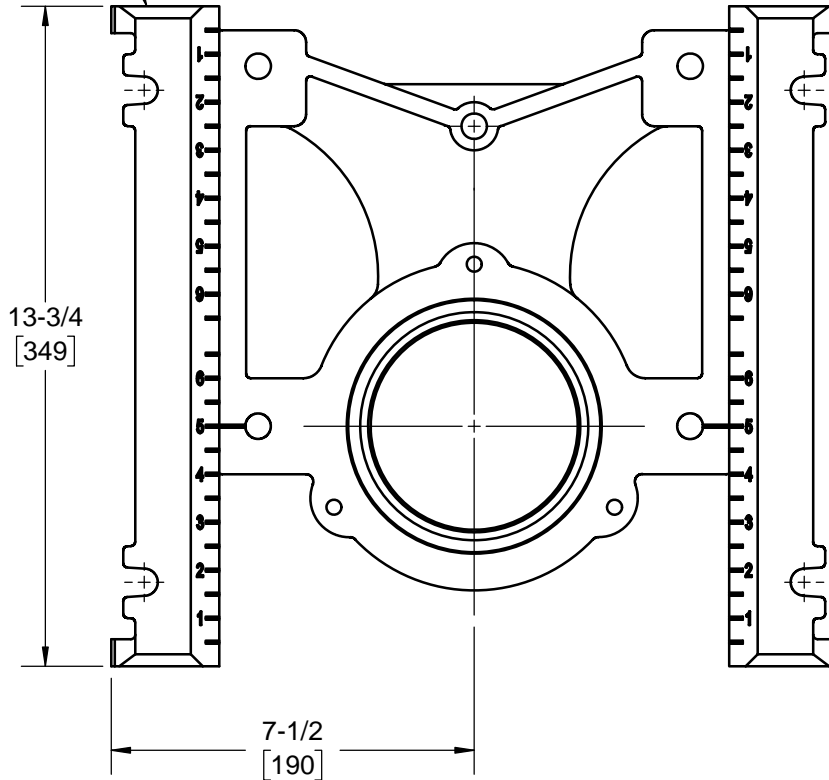
JOSAM 12000-32 SERIES COATED CAST IRON TRIM PACK WITH ADJUSTABLE CARRIER BODY, INVERTIBLE FOR SIPHON JET OR BLOWOUT CLOSETS AND PYLON FEET.

CLOSET CARRIER TRIM PACK

SERIES **12000-32**



ADJUSTABLE FOOT ☒



☒ RECOMMEND FEET BE SECURED TO FLOOR WITH 1/2" BOLTS AND ANCHORS (BY OTHERS).

-PF	PYLON FOOT (STANDARD)		-XSD	EXTRA SPECIAL-DUTY 1,000 lbs. CARRIER
-OR	O-RING CARRIER		-6	SUPPLY PIPE SUPPORT (SPECIFY TYPE OF PIPE)
-SD	SPECIAL-DUTY 500 lbs. CARRIER		-10	ABS EXTENSION THROUGH 10-1/2" WALL
-AUX	⊙ AUXILIARY INLET (2" NO-HUB)		-24	FLOOR MOUNTED BACK OUTLET CHINA BOWL
-HUB AUX	⊙ AUXILIARY INLET (2" HUB)		-30	CAST IRON ADJ. EXT. WITH CONNECTOR
-VP	SECURED TRIM		-30-2	CAST IRON ADJ. EXT. WITH CONNECTOR & TEST CAP
-1	POSITIONING FRAME	X	-32	CARRIER FOR WIDE CHASE INSTALLATIONS
-58	HORIZONTAL NO-HUB CAST LONG BARREL		-35	CARRIER FOR WHEEL CHAIR HIGH ROUGH

DATE OF LAST CHANGE: 5/25/18

DIMENSIONS ARE SUBJECT TO MANUFACTURERS TOLERANCES AND CHANGE WITHOUT NOTICE. WE CAN ASSUME NO RESPONSIBILITY FOR USE OF SUPERSEDED OR VOID DATA.



MICHIGAN CITY, INDIANA

NOTES

WARNING: Cancer and Reproductive Harm - www.P65Warnings.ca.gov