

Brass Ball Valve

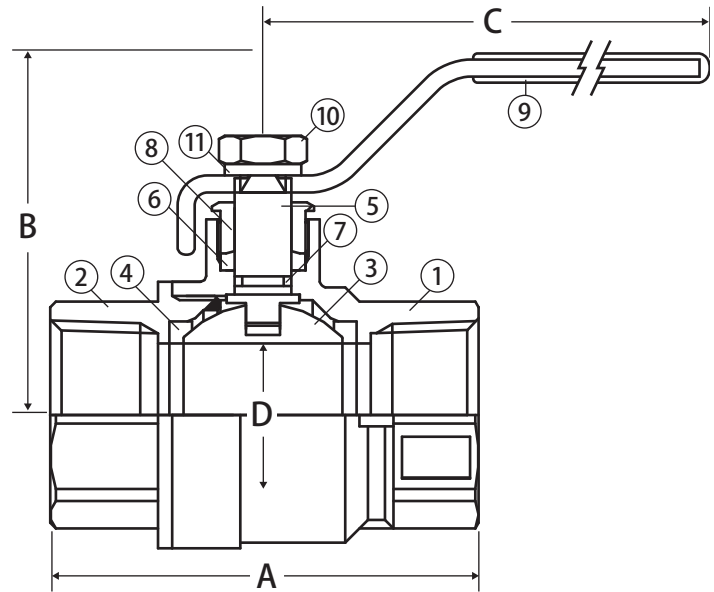


2 Piece • Full Port • Threaded Connection • 600 WOG



JF-100T

CRN# 0C16654.5



Features

- Gland follower and single o-ring stem design
- Blow-out proof stem
- 100% leak tested

Approvals



- UL Listed up to 175 PSI (1/4" - 2")
 - MHKZ - Manual valves
 - YRPV - Gas shut-off valves
- CSA Certified
 - CGA 3.16 (125 PSIG)
 - ANSI Z21.15 (.5 PSIG)
 - CGA CR91 (5 PSIG)
 - ASME B16.44 (5 PSIG)
 - ASME B16.33 (125 PSIG) (1/2" - 2")
 - ASME B16.38 (125 PSIG) (2-1/2" - 4")
- FM Approval (1/4" - 2")
- MSS SP-110
- ANSI B1.20.1

Material Specifications

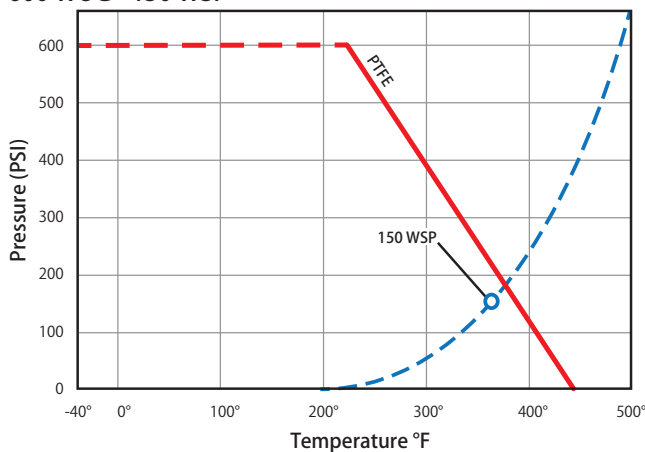
| No. | Part | Materials |
|-----|----------------|------------------------------|
| 1 | Body | Brass - C37700 |
| 2 | End Connection | Brass - C37700 |
| 3 | Ball | Chrome Plated Brass - C37700 |
| 4 | Seat (2) | PTFE |
| 5 | Stem* | Brass - C37700 |
| 6 | Packing | PTFE |
| 7 | Stem O-ring | Buna-N |
| 8 | Packing Gland | Brass - C37700 |
| 9 | Handle | Steel - Chrome Plated |
| 10 | Handle Nut | Steel - Chrome Plated |
| 11 | Lock Washer | Steel - Chrome Plated |

* 3" and 4" have 304 stainless steel stem

Dimensions

| Part No. | Size | A | B | C | D |
|----------|--------|------|------|------|------|
| 100-101 | 1/4" | 1.73 | 1.69 | 3.35 | 0.39 |
| 100-102 | 3/8" | 1.73 | 1.69 | 3.35 | 0.39 |
| 100-103 | 1/2" | 2.28 | 1.81 | 3.35 | 0.59 |
| 100-104 | 3/4" | 2.52 | 2.36 | 4.29 | 0.75 |
| 100-105 | 1" | 2.97 | 2.52 | 4.29 | 0.98 |
| 100-106 | 1-1/4" | 3.44 | 2.52 | 5.63 | 1.26 |
| 100-107 | 1-1/2" | 3.88 | 2.72 | 5.63 | 1.57 |
| 100-108 | 2" | 4.29 | 3.03 | 5.63 | 1.97 |
| 100-109 | 2-1/2" | 5.59 | 4.25 | 7.76 | 2.52 |
| 100-110 | 3" | 6.34 | 4.92 | 8.37 | 2.95 |
| 100-111 | 4" | 7.83 | 5.85 | 9.25 | 3.90 |

Valve Seat Rating 600 WOG - 150 WSP



WARNING: This product can expose you to chemicals including lead, which is known to the State of California to cause cancer, and lead, which is known to the State of California to cause birth defects or other reproductive harm. For more information go to www.P65Warnings.ca.gov.