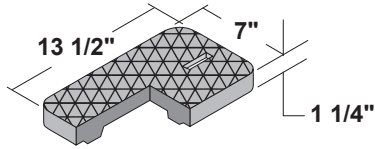


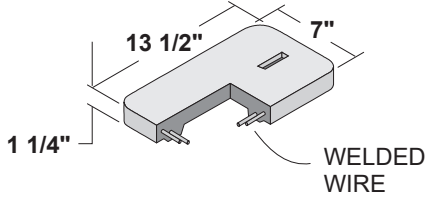
No. 67 - ST LID (2-ST)

WT. 9 lbs.



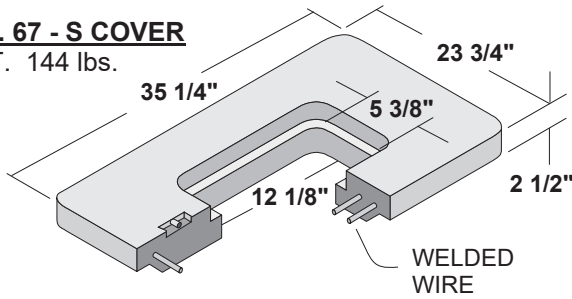
No. 67 - S LID (2-S)

WT. 8 lbs.



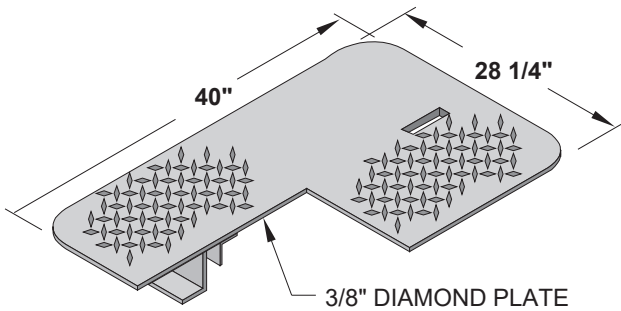
No. 67 - S COVER

WT. 144 lbs.



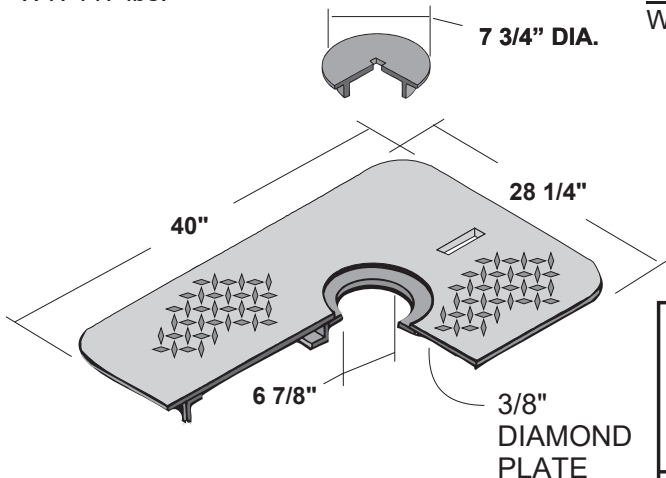
No. 67 - T STEEL COVER (SUPERIMPOSED)

WT. 115 lbs.



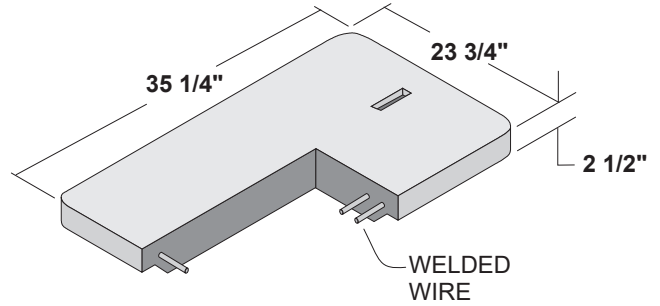
No. 67-TR STEEL COVER (SUPERIMPOSED)

WT. 117 lbs.



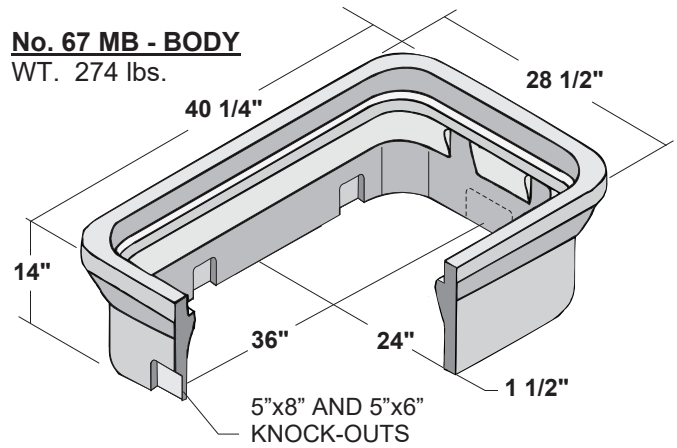
No. 67 MB - CONCRETE COVER

WT. 156 lbs.



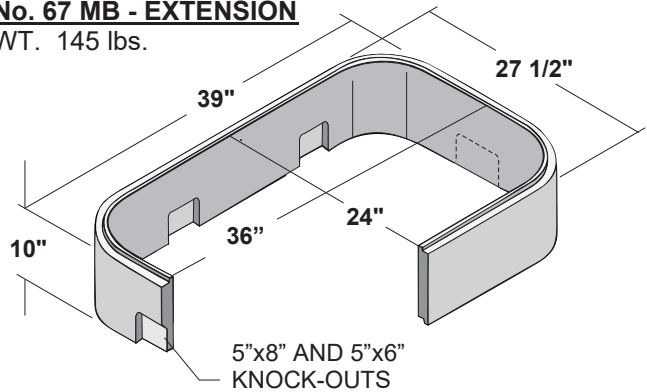
No. 67 MB - BODY

WT. 274 lbs.



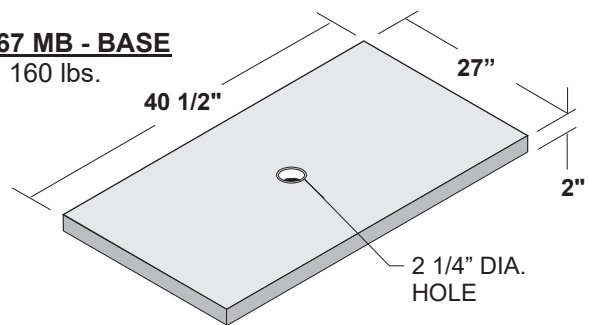
No. 67 MB - EXTENSION

WT. 145 lbs.



No. 67 MB - BASE

WT. 160 lbs.



3
-
1
0

24" x 36" METER BOX

JENSEN
PRECAST EST. 1968

ORG. DWG. DATE
11-17-99

REV. DWG. DATE
02-14-20

BROOKS 67MB