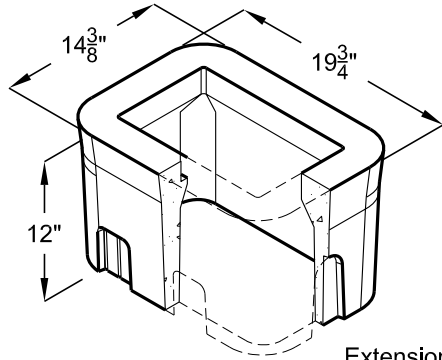
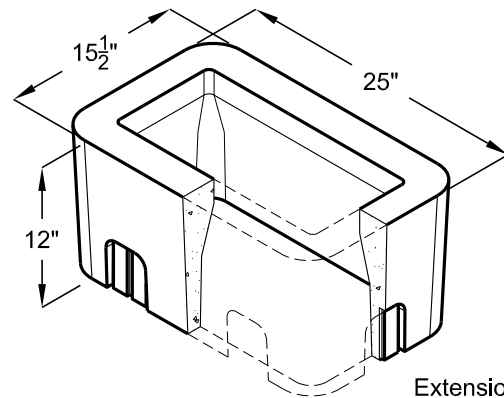


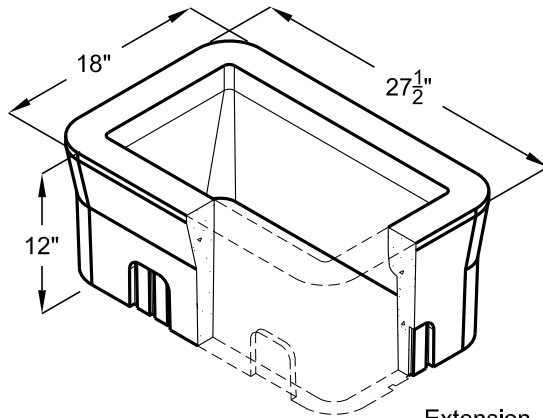
HN/HW NON-TRAFFIC HANDHOLE EXTENSIONS



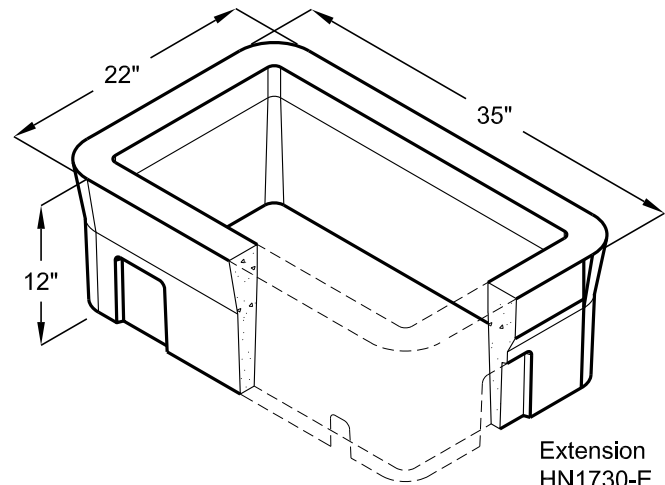
Extension
HN1017-E



Extension
HN1222-E



Extension
HN1324-E



Extension
HN1730-E

PART NO.	PRODUCT	DESCRIPTION	APPROX. WEIGHT	QTY. PER PALLET
HN1017-E	EXTENSION	10"x17"x12" Reinforced Concrete Extension	112	28
HN1222-E	EXTENSION	12"x22"x12" Reinforced Concrete Extension	125	20
HN1324-E	EXTENSION	13"x24"x12" Reinforced Concrete Extension	160	16
HN1730-E	EXTENSION	17"x30"x12" Reinforced Concrete Extension	180	8

JENSEN®, JENSEN PRECAST®, TRAXPLATE®, and LOCKLID™ are trademarks owned by Jensen Enterprises. All other trademarks are the property of their respective owners. Jensen Precast reserves the right to make changes to product design and/or dimensions without notice. Please contact Jensen Precast whenever necessary for confirmation or advice on product design.

5/6/2014 EXTENSIONS_C.DWG © 2014 JENSEN PRECAST

JENSEN
PRECAST

JENSENPRECAST.COM