

HN1730 ELECTRICAL HANDHOLE

17"x30"x12"

(NOMINAL INSIDE DIMENSIONS)

MEETS LIBERTY UTILITIES SPECS.

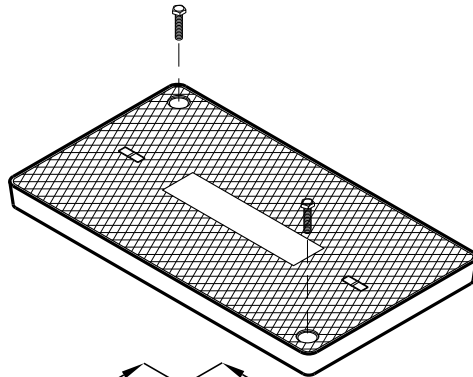
DRAWING NO. VB0052 U

STOCK NUMBERS:

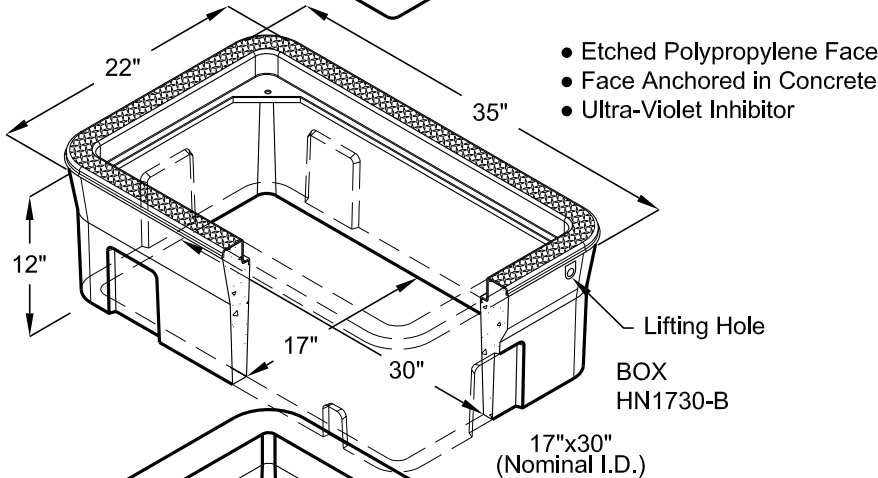
24-0030 (BOX)

24-0480 (EXTENSION)

24-1177 (FIBRELYTE[®] LID)



FL36T
Fibrelyte[®]
Bolt Down Lid

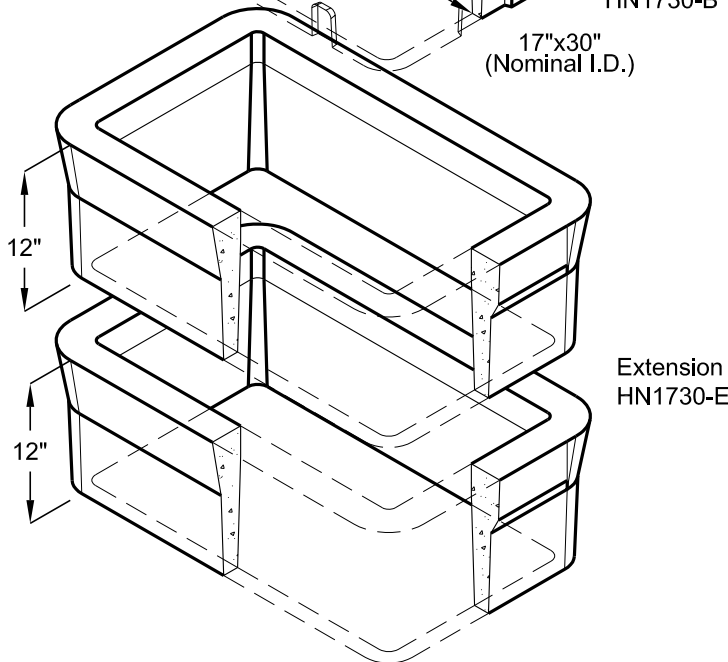


- Etched Polypropylene Face
- Face Anchored in Concrete
- Ultra-Violet Inhibitor

Lifting Hole

BOX
HN1730-B

17"x30"
(Nominal I.D.)



Extension
HN1730-E

| LIBERTY ENERGY NO. | PART NUMBER | PRODUCT | DESCRIPTION |
|--------------------|-------------|----------------|---|
| 24-0030 | HN1730-B | BOX | 17"x30"x12" Reinforced Concrete Non-Traffic Box |
| 24-0480 | HN1730-E | EXTENSION | 17"x30"x12" Reinforced Concrete Non-Traffic Extension |
| 24-1177 | FL36T | LID | Fibrelyte [®] Lid |
| | | HOLD DOWN BOLT | 3/8"x2-1/4" Pentahead Bolt - 2 Total |