

22"

Item Number:

- 650-M22-BKO
- 650-M22-BNM
- 650-M22-CWH
- 650-M22-UGR
- 650-M22-VBL

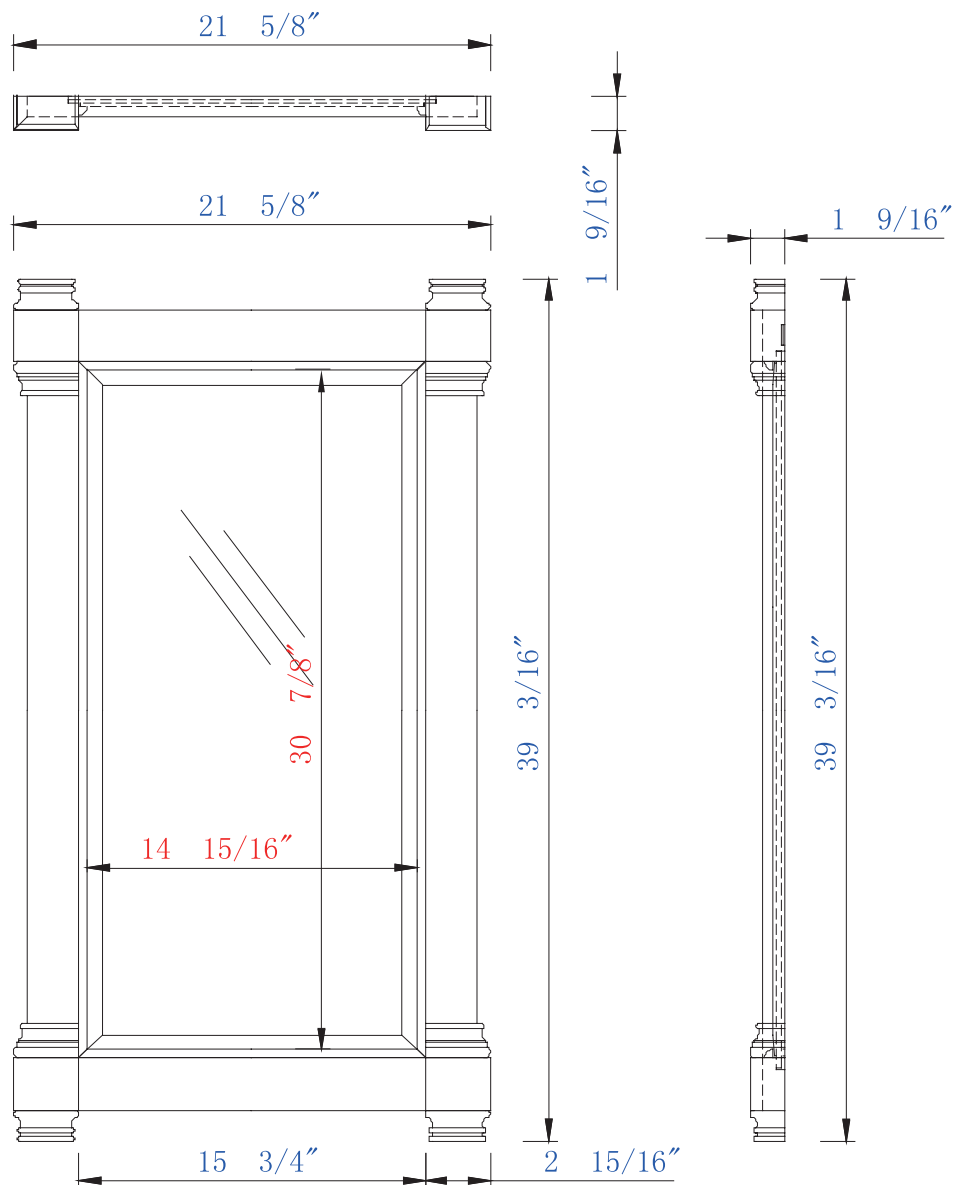
JAMES MARTIN



VANITIES™

Brittany 22" Mirror

Diagrams with Dimensions
page 01 of 01



550mm

Item Number:

- 650-M22-BKO
- 650-M22-BNM
- 650-M22-CWH
- 650-M22-UGR
- 650-M22-VBL

JAMES MARTIN



VANITIES™

Brittany 550mm Mirror

Diagrams with Dimensions
page 01 of 01

