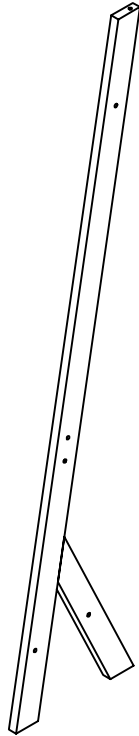


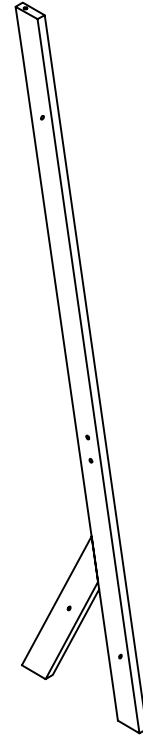


410-V30-GW/410-V30-WLT Lakeside 30" Single Vanity Assembly Instructions

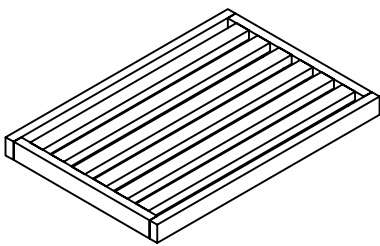
PART LIST



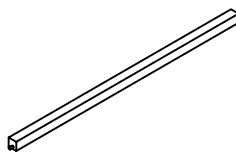
Left frame x 1pc



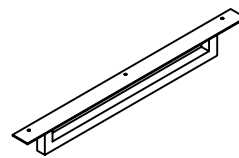
Right frame x 1pc



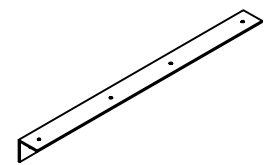
Shelf x 1pc



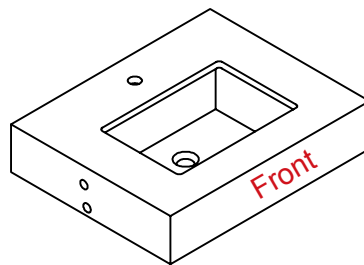
Top metal rail x 1pc



Towel bar x 1pc



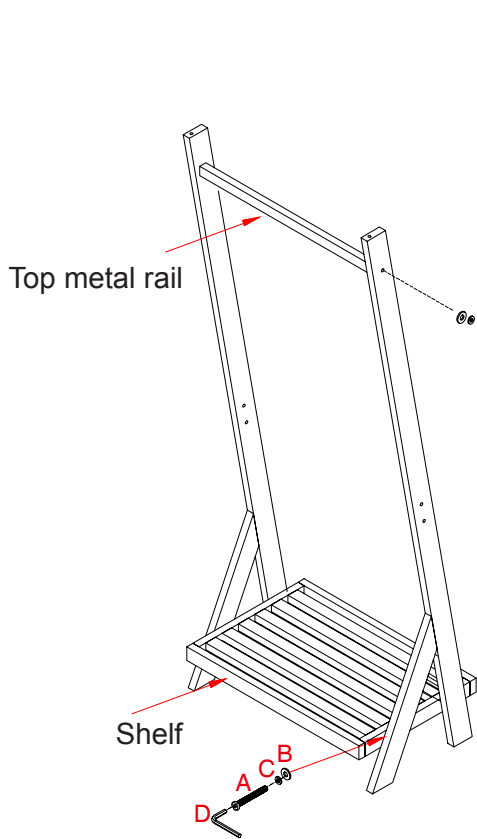
L Braket x 1pc



Countertop x 1pc



**410-V30-GW/410-V30-WLT
Lakeside 30" Single Vanity Assembly Instructions**



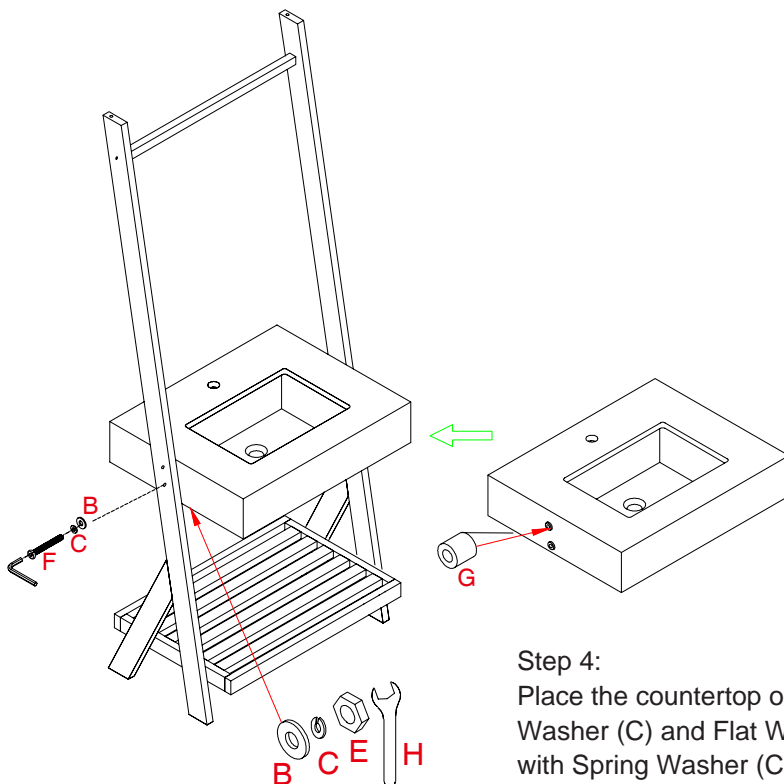
A =6pcs $\varnothing 5/16 \times 1-1/2$	
B =16pcs $\varnothing 19$	
C =16pcs $\varnothing 5/16$	
D =1pcs $\varnothing 5$	

Step 1:

To attach the shelf, place the shelf against the sides of frame. Insert the bolt through the Spring Washer (C) and the Flat Washer (B) access the shelf and into the pre-drilled holes on the side of the frame, the Allen Wrench needed to tighten the bolts is included.

Step 2:

To attach the metal rail, place the metal rail against the sides of frame. Insert the bolt through the Spring Washer (C) and the Flat Washer (B) access the frame and into the pre-drilled holes on the side of the metal rail, the Allen Wrench needed to tighten the bolts is included.



E =4pc $\varnothing 5/16$	
F =4pcs $\varnothing 5/16 \times 3-1/2$	
G =4pcs $\varnothing 24 \times 24$	
H =1pc	

Step 3:

Insert the metal pad (G) into the holes on side panel of countertop to protect any damage on side panels during assembly.

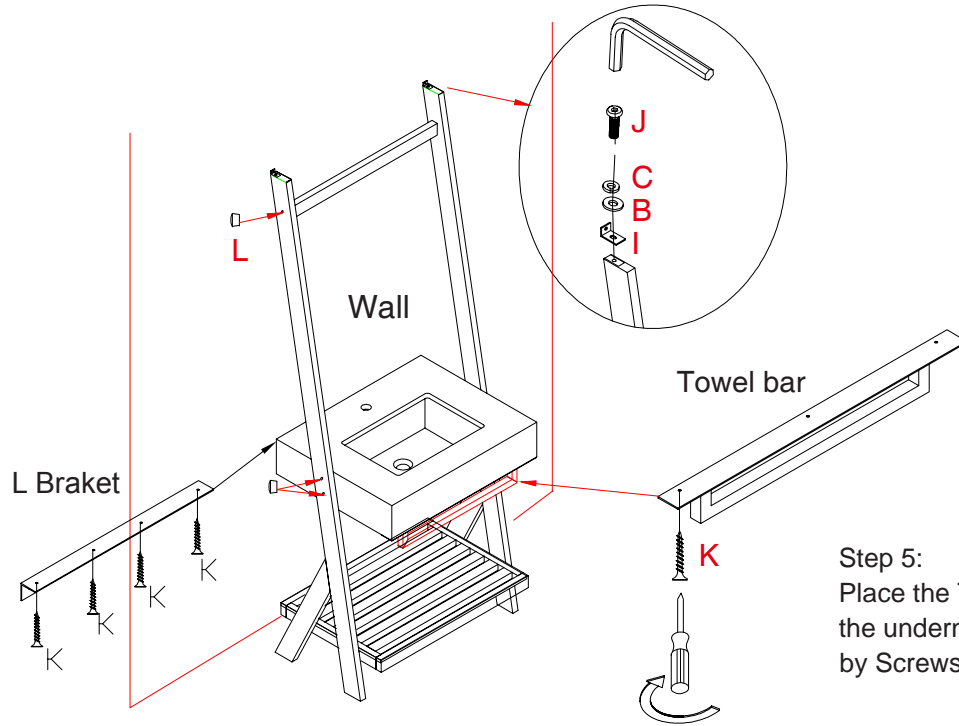
Step 4:

Place the countertop on position, insert the Bolt (F) through the Spring Washer (C) and Flat Washer (B) from outside, and attach the Nut (E) with Spring Washer (C) and Flat Washer (B) from inside, tight the bolt into the nut.



**410-V30-GW/410-V30-WLT
Lakeside 30" Single Vanity Assembly Instructions**

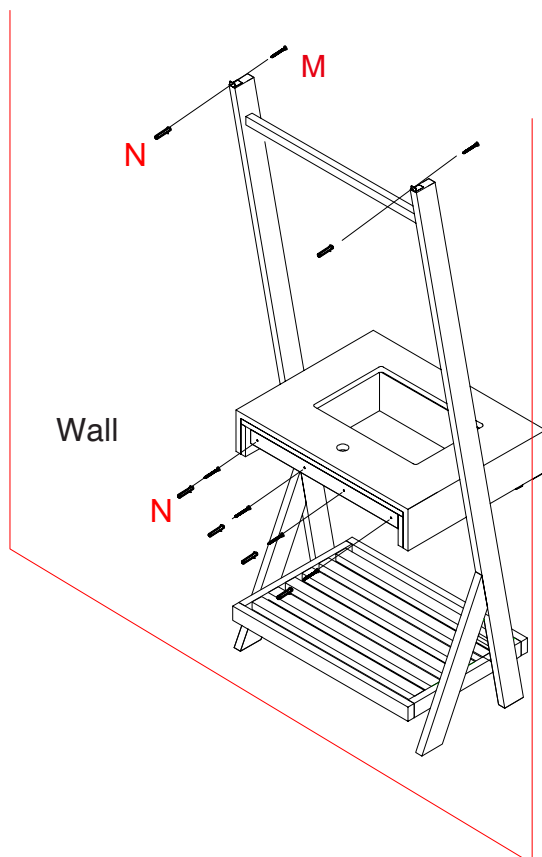
Note: Insert the wood caps to cover the holes on the side of frame.



I=2pcs	50*20*30	
J=2pcs	∅ 5/16*1/2	
K=7pcs	∅ 4*3/4	
L=6pcs	∅ 23	

Step 5:
Place the Towel Bar and L Bracket against to the underneath of countertop, and secure by Screws (K) as shown in diagram.

Step 6:
Attach the L braket (I) to the top end of frame.



M=6pcs	∅ 4*40	
N=6pcs	∅ 8*38	

Step 7:
Drill the holes' depth no less than 40mm on the way, and insert "N" to the holes by using hammer, to attach the vanity by using with Screws (M) as shown.