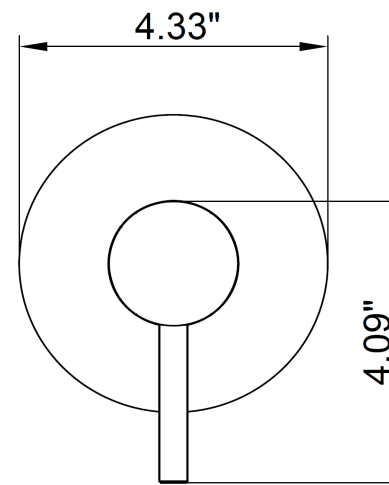


Slimline Mixer 01

by JEE-O



- brushed
800-2100
- structured black
800-2103



SPECIFICATIONS

MATERIAL:	304 stainless steel
FEATURES:	single lever mixer
CARTRIDGE:	ceramic mixing mechanism (#005-0102)
WEIGHT:	4 lbs
PACKAGE DIMENSIONS:	L 10" x W 6" x H 6"
DELIVERY WEIGHT:	5 lbs
WARRANTY:	2-year limited warranty

MAINTENANCE & CARE

BRUSHED:	Regularly apply stainless steel cleaner and rub in the direction of the grain, using a slightly abrasive sponge.
STRUCTURED BLACK:	Regularly clean with soap water or alcohol. Do not use abrasives.

