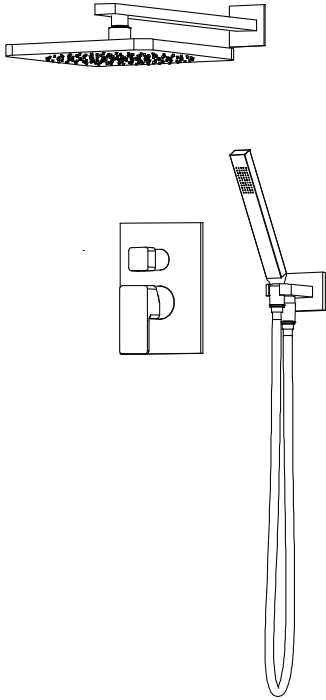


196.3300 | Two Output Shower W/ Rain Head & Hand Held



COMPONENTS

- HS1050 - 15" Shower Arm
- HSB.10C - 10" Shower Head
- 196.2100T - Shower Trim
- PBV.1005A - Shower Valve
- HS1006H - Hand Held
- SP.150EM - 1.5m Hose
- HS8007 - Elbow w/ Holder

SHOWER VALVE:

- Pressure balance shower valve
- Valve includes service stops
- Lift bottom handle to control volume
- Turn left for hot, right for cold.
- Top handle controls water diversion
- 1/2" NPT

SHOWER HEAD:

- Solid brass construction
- 1.8 GPM flow rate

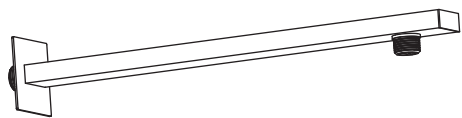
STANDARDS:

- ASME A112.18.1 / CSA B125.1

See individual component specification sheets on following pages for further details.



HS1050 | Square Shower Arm - 15"



SPECIFICATIONS:

- Solid Brass Shower Arm
- With Fixed Flange

FINISHES :

- Chrome - HS1050CP / Brushed Nickel - HS1050BN

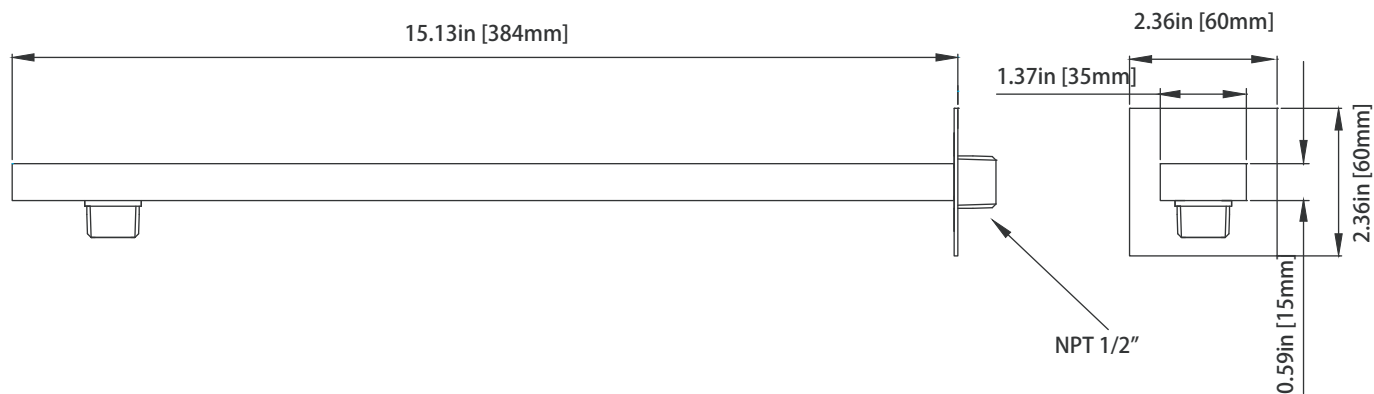
Legislation Compliance



ZeroDrip Technology



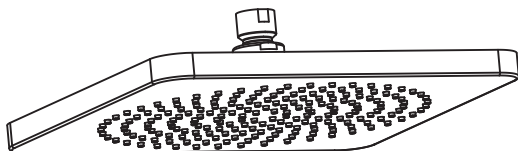
Technical Diagram



HSB.10C | 10" Brass Shower Head

SPECIFICATIONS:

- Solid Brass Shower Head
- Scrub rubber nozzles to easily clean water sediment
- 1.8 GPM Flow Rate
- 200 Nozzles
- Use with HS1050 Shower Arm



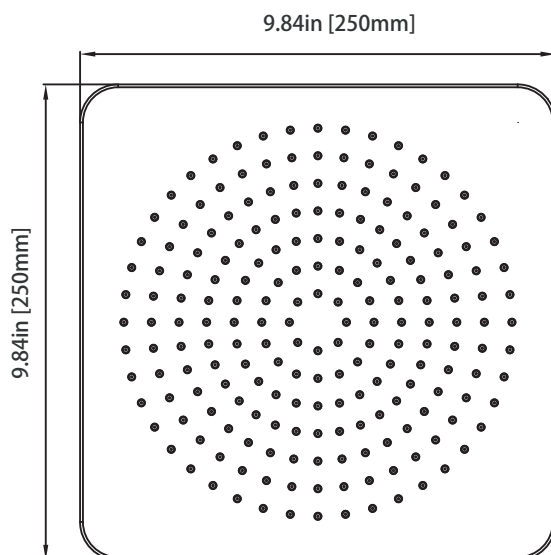
Legislation Compliance



ZeroDrip Technology

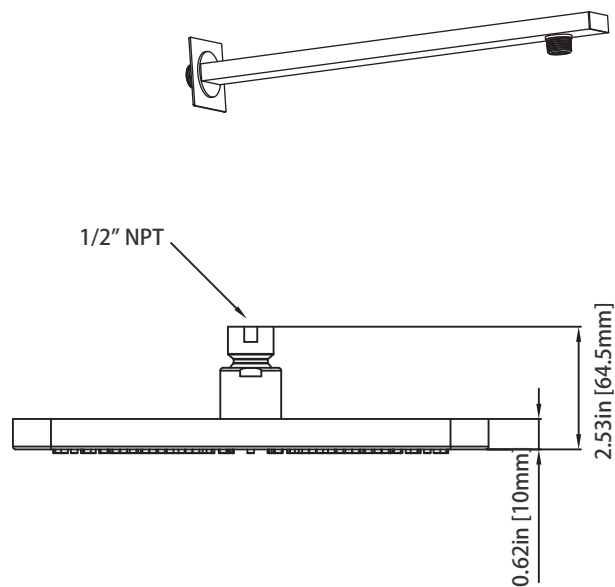


Technical Diagram



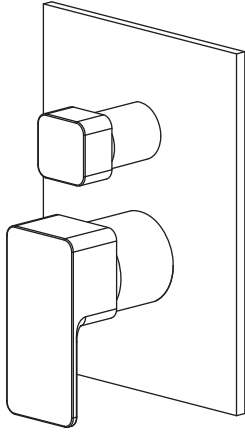
MATCHING SHOWER ARM:

- 1) HS1050 (15" Wall Mount Shower Arm)



196.2100T | Tub / Shower Trim

SPECIFICATIONS:



- Solid brass construction
- Valve not included- trim only
- Lift Handle to control volume. Turn left for hot, right for cold.
- Small knob controls 2-way water diversion

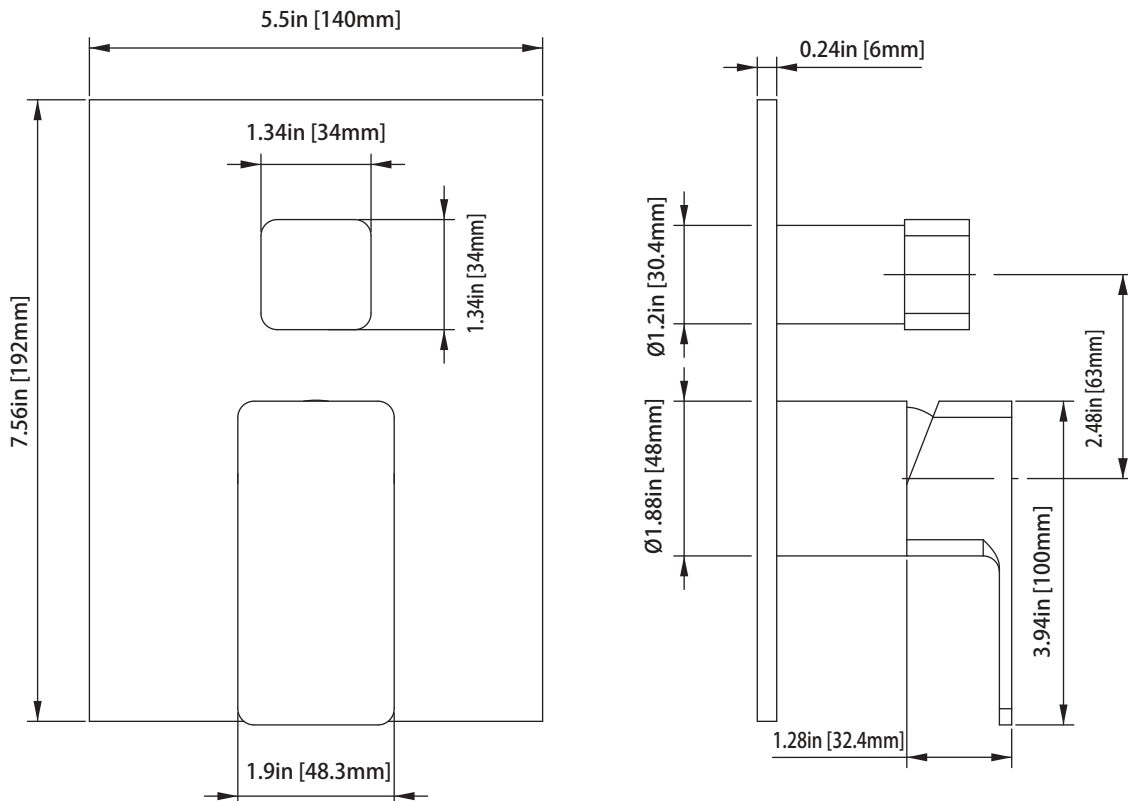
Legislation Compliance



ZeroDrip Technology



Technical Diagram





PBV1005A | Pressure Balance Valve With Integrated 2-Way Diverter Page 1 of 2

SPECIFICATIONS:

- Lift Handle to control volume. Turn left for hot, right for cold.
- Knob controls 2-way water diversion - shared output.
- Pressure Balance Valve Flow Rate - 5.5 GPM @ 60 PSI

FAST SHIP FINISHES :

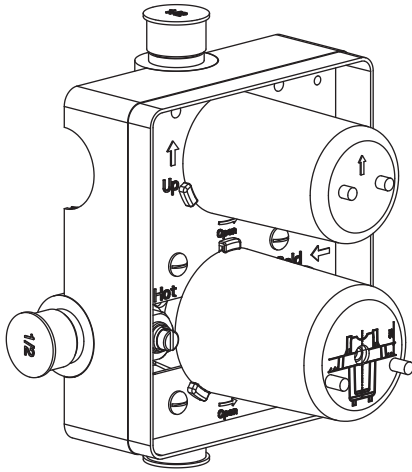
- Chrome - PBV1005ACP / Brushed Nickel - PBV1005ABN /

STANDARDS:

- ASME A112.18.1 / CSA B125.1

WARRANTY:

- Limited lifetime warranty to the original consumer purchaser against finish and workmanship

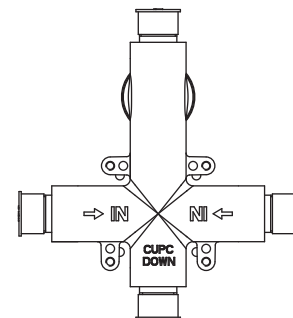
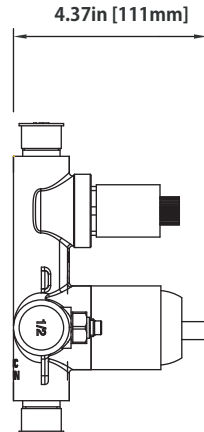
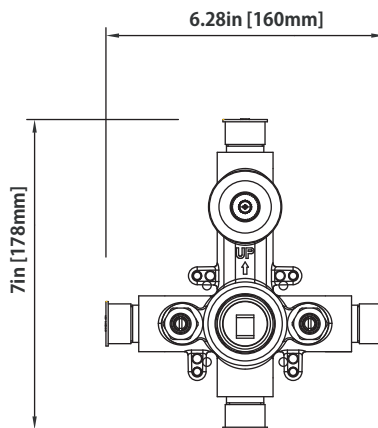
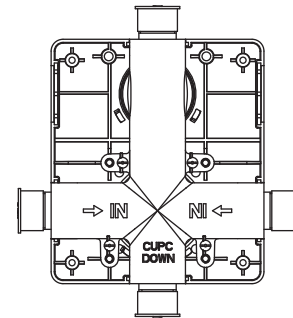
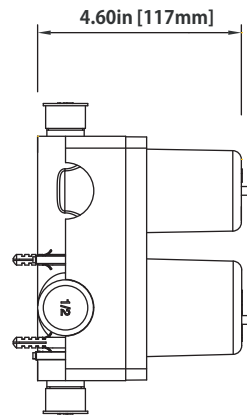
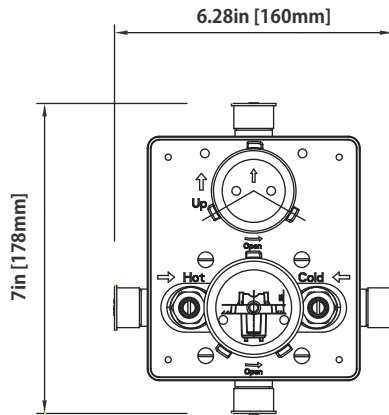


Legislation Compliance

ZeroDrip Technology



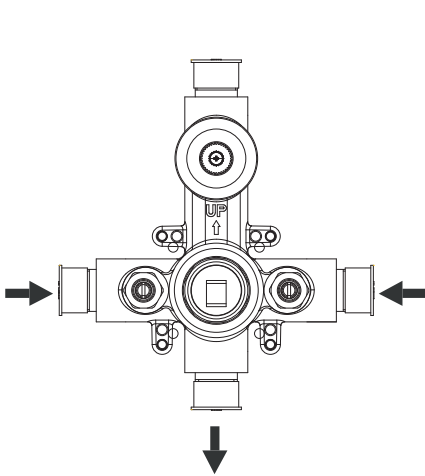
Technical Diagram



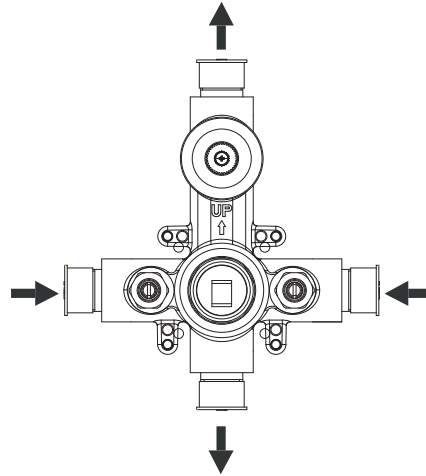
PBV1005A | Pressure Balance Valve With Integrated 2-Way Diverter Page 2 of 2



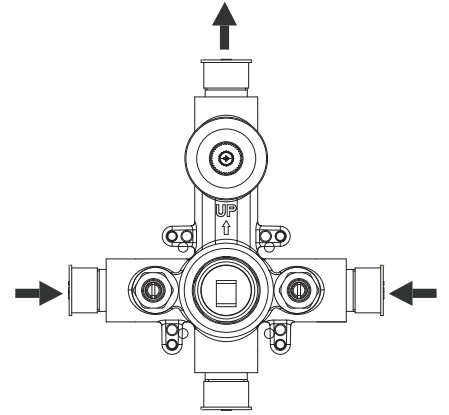
Water Diversion Diagram



Diverter Position = Left



Diverter Position = Middle
Shared Flow is Low Transition Flow

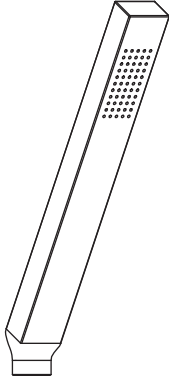


Diverter Position = Right

HS1006H | Solid Brass Hand Shower

SPECIFICATIONS:

- Solid Brass Construction
- 1.8 GPM Flow Rate
- With back flow prevention check valve



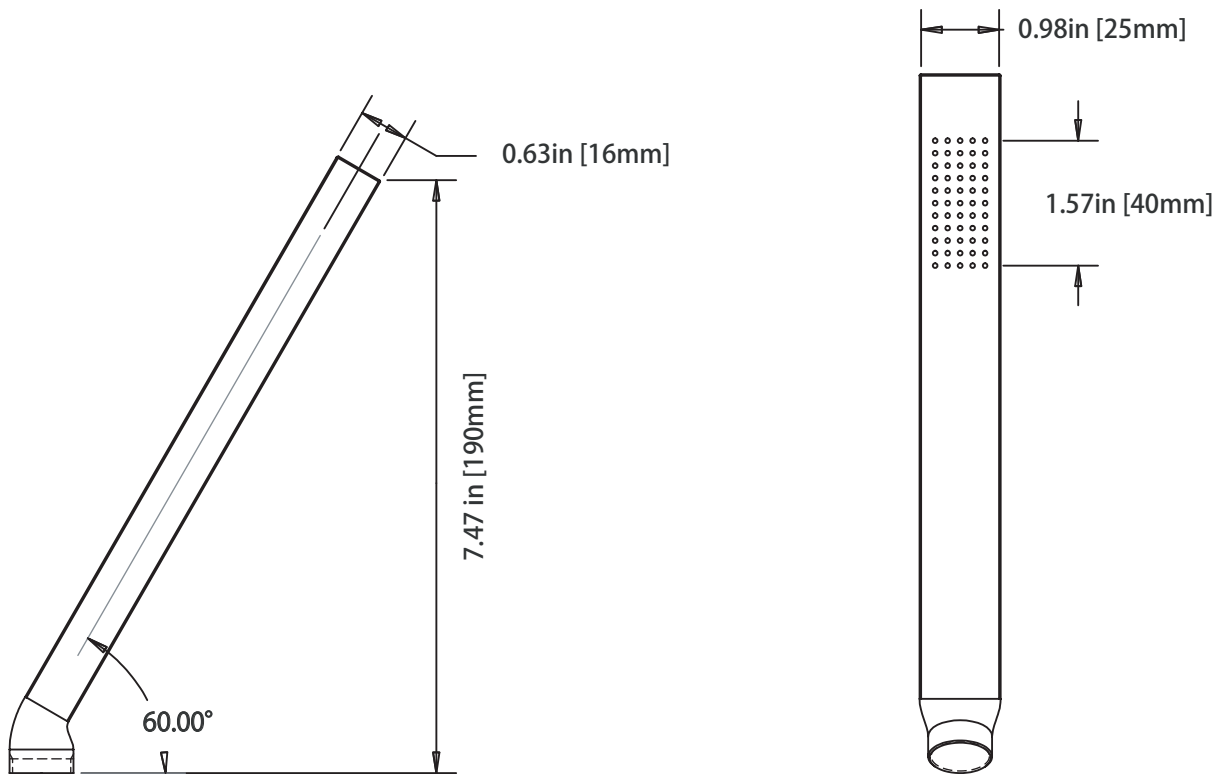
Legislation Compliance



ZeroDrip Technology



Technical Diagram



SP.150EM | Easy Maneuver Hose



SPECIFICATIONS:

- Stainless steel construction
- G-1/2" connection
- 1.5m length

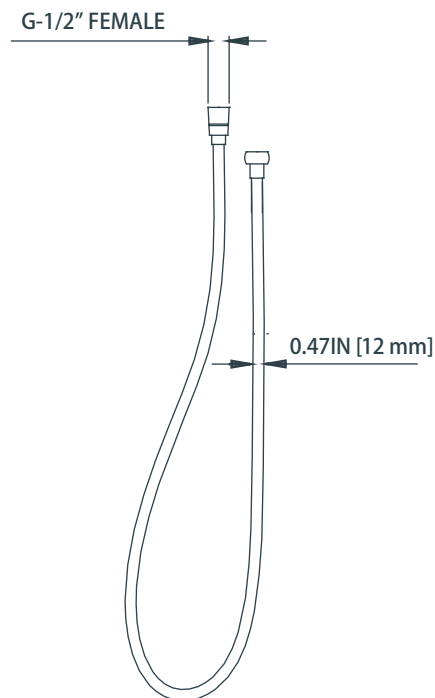
Legislation Compliance



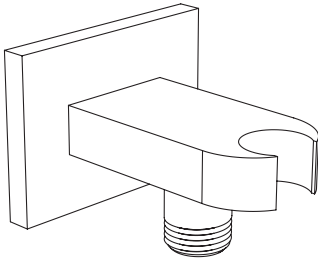
ZeroDrip Technology



Technical Diagram



HS8007 | Wall Elbow With Holder Combo



SPECIFICATIONS:

- Solid Brass Construction
- Includes Check Valve with back flow prevention.

FAST SHIP FINISHES :

- Chrome - HS8007CP / Brushed Nickel - HS8007BN

Legislation Compliance



ZeroDrip Technology



Technical Diagram

