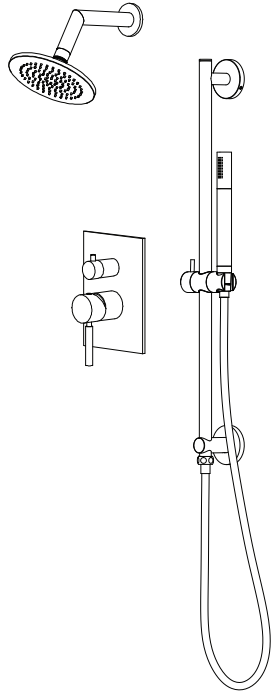


## 100.3400 | Two Output Shower W/ Rain Head & Hand Held



### COMPONENTS

- HS1030 - 7" Shower Arm
- HSB.6R - 6" Shower Head
- UF.2100T - Shower Trim
- PBV.1005A - Shower Valve
- HS1004H - Hand Held
- 100.601023A - Slide Bar w/ Elbow
- SP.150EM - 1.5m Hose

### SHOWER VALVE:

- Pressure balance shower valve
- Valve includes service stops
- Lift bottom handle to control volume
- Turn left for hot, right for cold.
- Top handle controls water diversion
- 1/2" NPT

### SHOWER HEAD:

- Solid brass construction
- 1.8 GPM flow rate

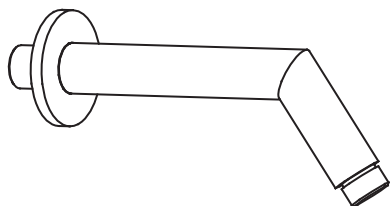
### STANDARDS:

- ASME A112.18.1 / CSA B125.1

See individual component specification sheets on following pages for further details.



## HS1030 | Round Shower Arm



### SPECIFICATIONS:

- Solid Brass Shower Arm
- With Brass Flange

### FAST SHIP FINISHES :

- Chrome - HS1030 CP / Brushed Nickel - HS1030BN

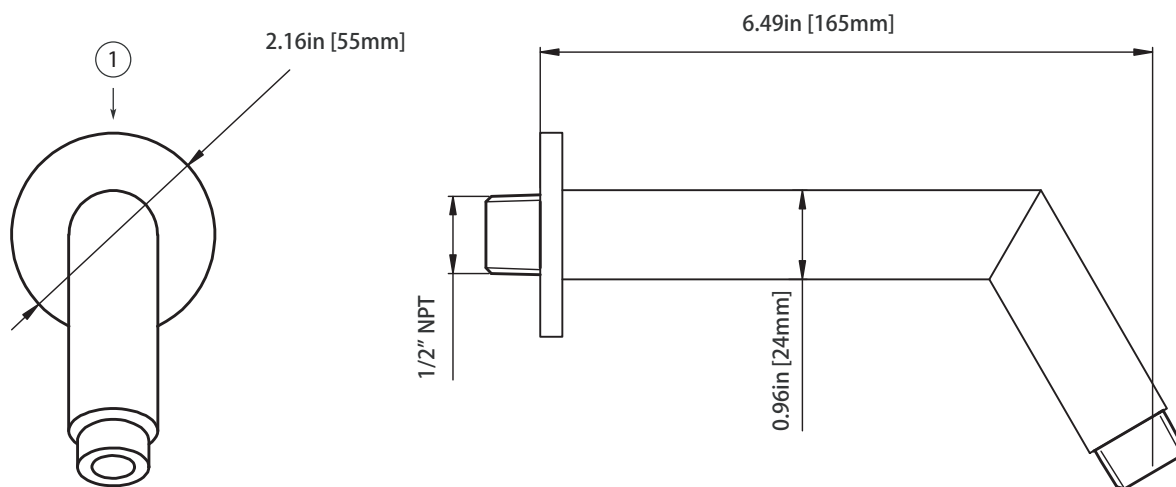
Legislation Compliance



ZeroDrip Technology



## Technical Diagram



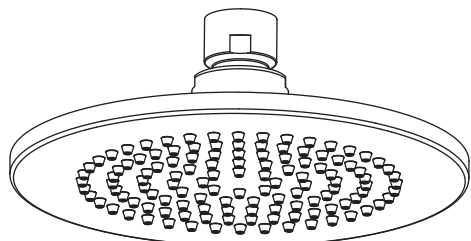
### Part Number Guide:

- ① Flange - HS1030-1253CP - Chrome  
HS1030-1253BN - Brushed Nickel

## HSB.6R | 6" Brass Shower Head

### SPECIFICATIONS:

- Solid Brass Shower Head
- Scrub rubber nozzles to easily clean water sediment
- 1.8 GPM Flow Rate
- 123 Nozzles
- Use with HS1030 Shower Arm



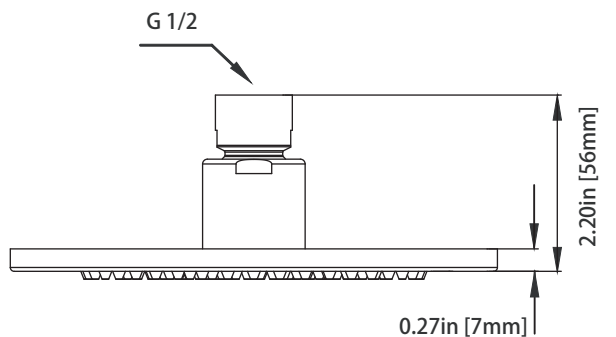
Legislation Compliance



ZeroDrip Technology

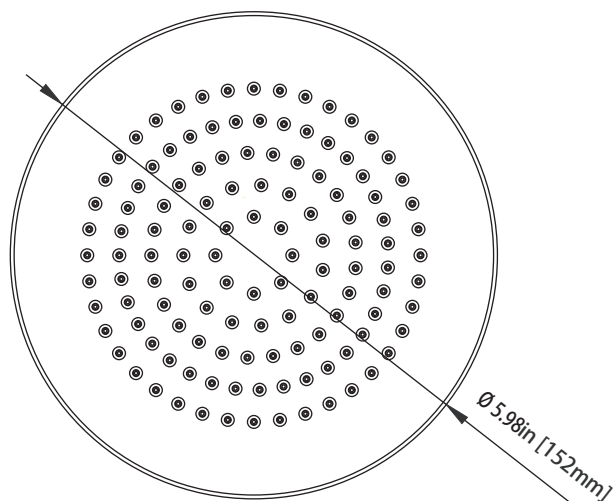
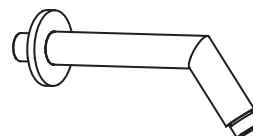


### Technical Diagram



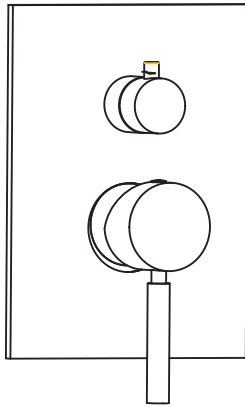
### MATCHING SHOWER ARMS:

1) HS1030





**UF.2100T | Tub / Shower Trim**



Trim  
[ UF.2100T\*\* ]

\*\* Denotes Finish (CP, BN, etc.)

**SPECIFICATIONS:**

- Solid Brass Construction
- Lift Handle to control volume. Turn left for hot, right for cold.
- Small knob controls 2-way water diversion

**FAST SHIP FINISHES:**

- Chrome - UF.2100CP / Brushed Nickel - UF.2100BN

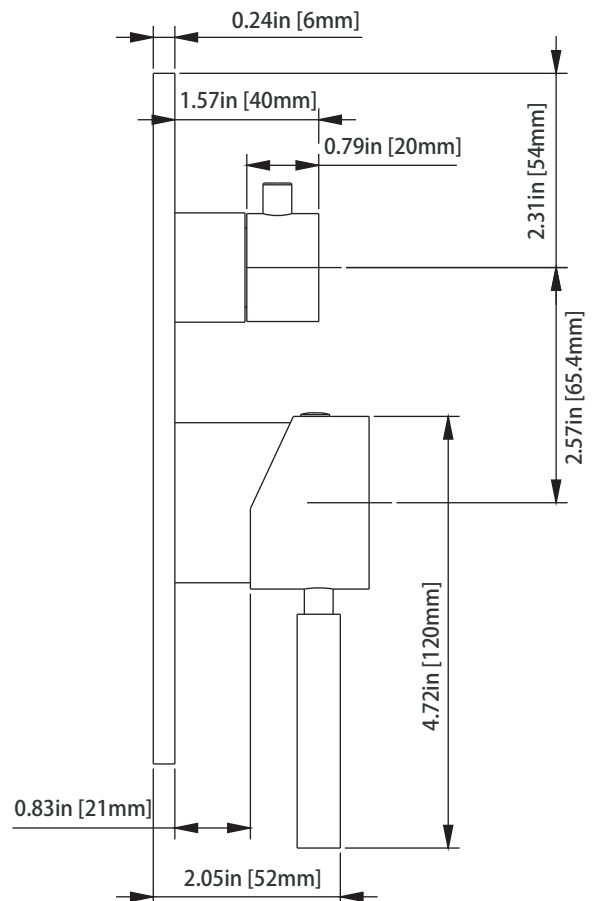
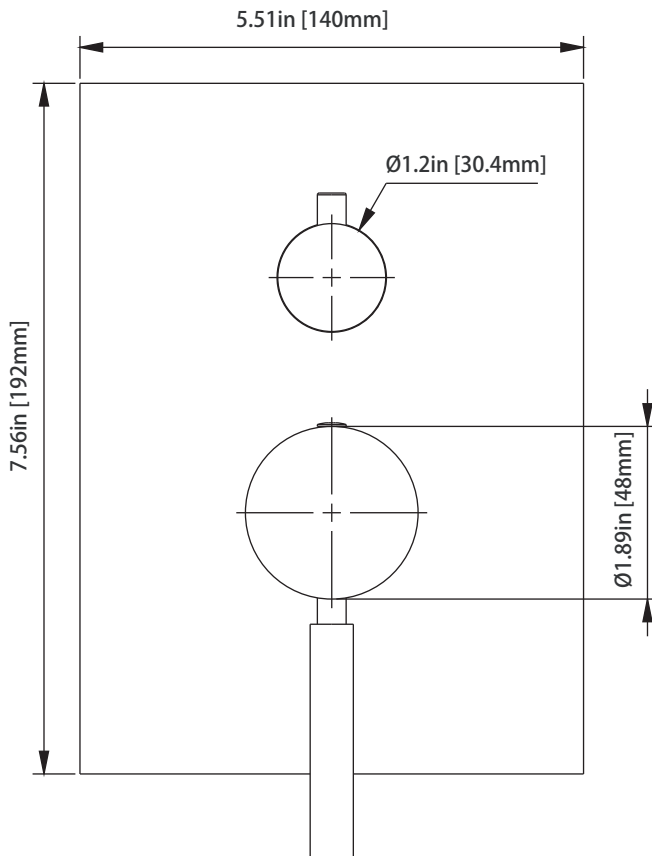
Legislation Compliance



ZeroDrip Technology



**Technical Diagram**





**PBV1005AS | Single Control Pressure Balance Valve**

Page 1 of 2

**SPECIFICATIONS:**

- Lift Handle to control volume. Turn left for hot, right for cold.
- Pressure Balance Valve Flow Rate - 5.5 GPM @ 60 PSI

**FAST SHIP FINISHES :**

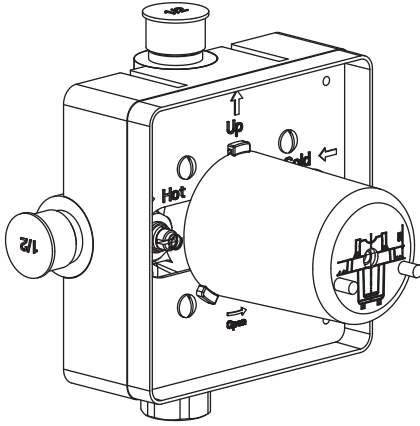
- Chrome - PBV1005ASCP / Brushed Nickel - PBV1005ASBN

**STANDARDS:**

- ASME A112.18.1 / CSA B125.1

**WARRANTY:**

- Limited lifetime warranty to the original consumer purchaser against finish and workmanship

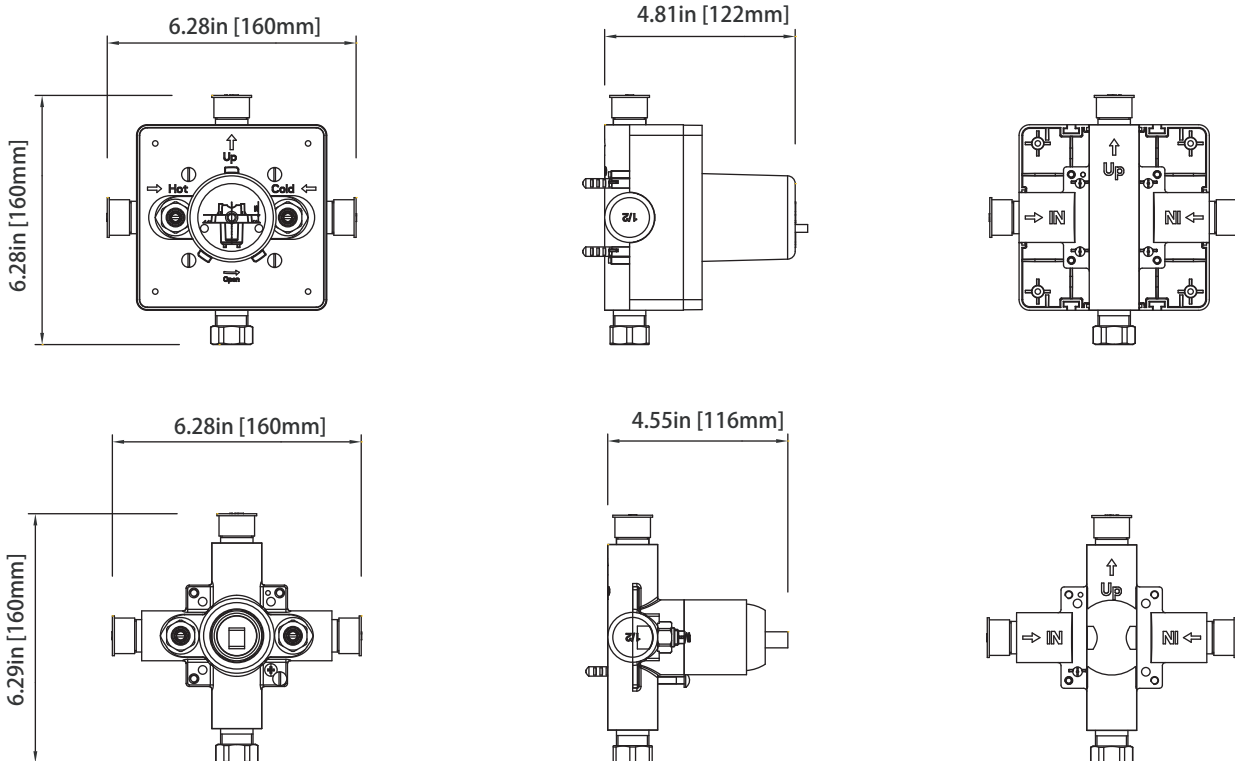


Legislation Compliance

ZeroDrip Technology



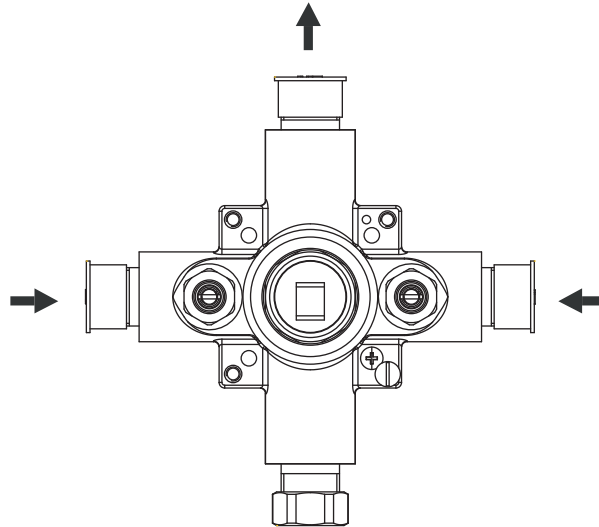
**Technical Diagram**



PBV1005AS | Single Control Pressure Balance Valve Page 2 of 2



Water Flow Diagram



Extension Kits

- a Temperature Handle Extension - PBV.E185CP - Chrome  
PBV.E185BN - Brushed Nickel

## HS1004H | Solid Brass Hand Shower

### SPECIFICATIONS:

- Solid Brass Construction
- 1.8 GPM Flow Rate
- With back flow prevention check valve



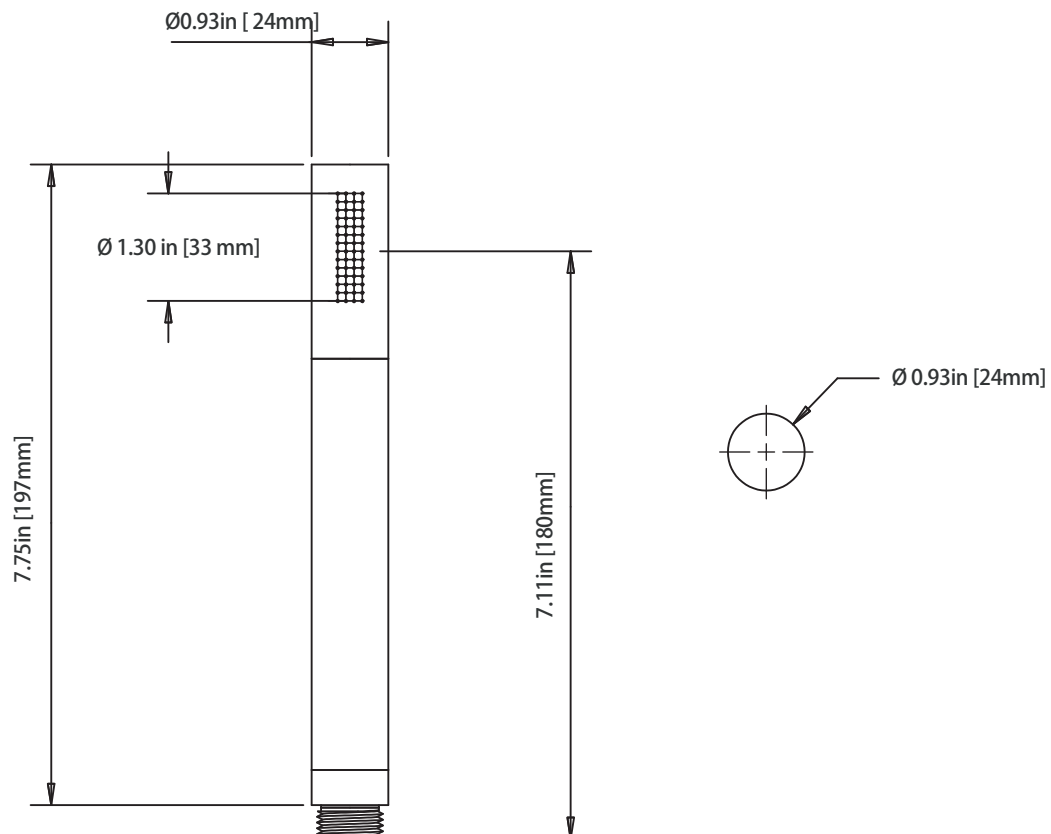
Legislation Compliance



ZeroDrip Technology



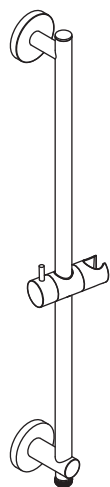
### Technical Diagram



100.601023A | Slide Bar With Integrated Wall Elbow

SPECIFICATIONS:

- Solid Brass Construction
- Easy front of wall installation
- Integrated wall elbow
- 1/2" female connection with adjustable slide on installation
- Includes check valve with back-flow prevention



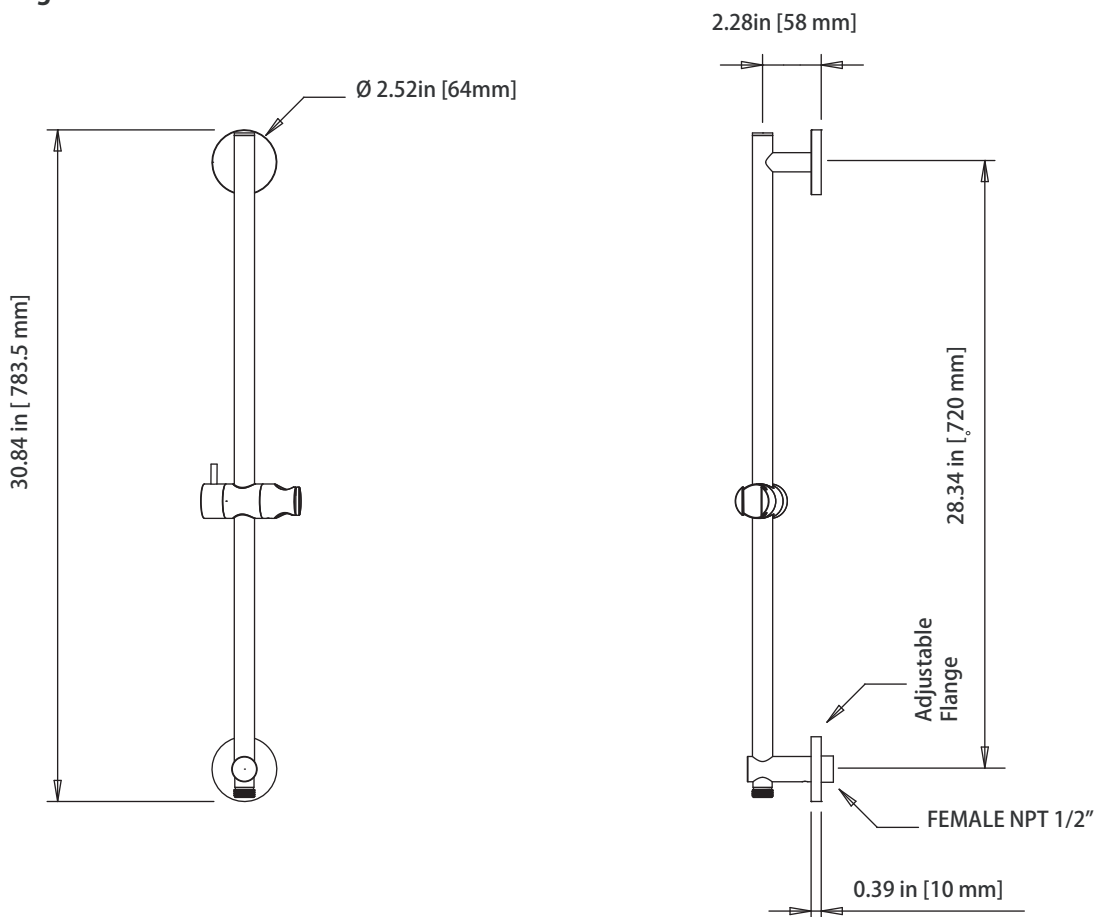
Legislation Compliance



ZeroDrip Technology



Technical Diagram





SP.150EM | Easy Maneuver Hose



SPECIFICATIONS:

- Stainless steel construction
- G-1/2" connection
- 1.5m length

Legislation Compliance



ZeroDrip Technology



Technical Diagram

