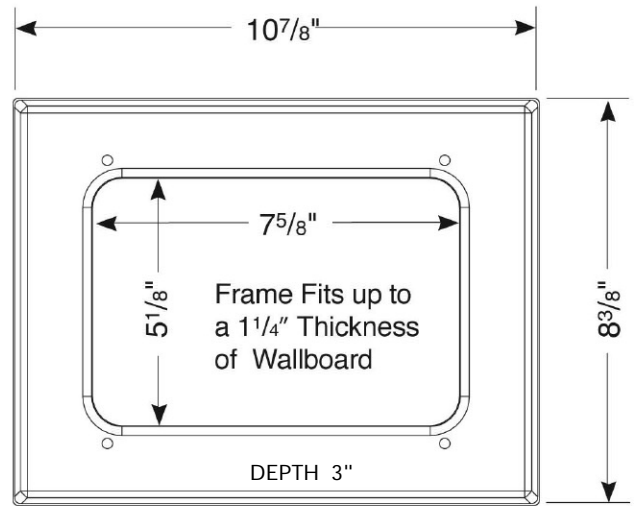
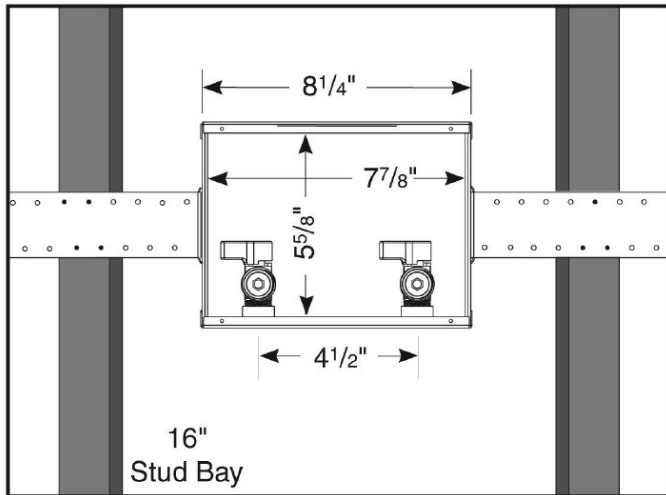


SPECIFICATION SUBMITTAL SHEET



CENTER DRAIN WHITE POWDER COATED METAL WMOB with Quarter Turn Valves



Specifications:

Furnish and install center drain white powder coated metal washing machine outlet box. Unit shall be Guy Gray product code as manufactured by IPS Corporation.

Box Material:

White Powder Coat on Cold Rolled Steel
20 gauge box with 20 gauge faceplate

Valve & Drain Option:

Qtr. Turn Valve with 1/2" Sweat/MIP, PEX, Wirsbo, or CPVC connection. 2" slipnut drain kit included. Valves comply with ASME A112.18.1.

Item #	Product Description	Model #	Quantity
82118	Center Drain Qtr Turn Valves*, 1/2" Sweat Conx., Unassembled	MWB-9	5
82119	Center Drain Qtr Turn Valves*, 1/2" Sweat Conx., Cont. Pack, Unassembled	MWB-10	5
82120	Center Drain Qtr Turn Valves*, 1/2" CPVC Conx., Unassembled	MWB-11	5
82121	Center Drain Qtr Turn Valves*, 1/2" CPVC Conx., Cont. Pack, Unassembled	MWB-12	5
82122	Center Drain Qtr Turn Valves* Installed, 1/2" Sweat Conx.	MWB-13	5
82123	Center Drain Qtr Turn Valves* Installed, 1/2" Sweat Conx., Cont. Pack	MWB-14	5
82146	Center Drain Qtr Turn Valves* Installed, 1/2" PEX Conx.	MWB-15	5
82154	Qtr Turn Hammer Arrester Valves Installed, 1/2" Sweat Conx.	MWB-19	5
82161	1/2" Qtr Turn Sweat Valve TM Installed, 2" Slipnut Drain Kit	MWB21	5
86162	1/2" Qtr Turn Sweat Valve TM Installed, Arrester, 2" Slipnut Drain Kit	MWB26	5
82162	1/2" Qtr Turn Wirsbo@ Top Mount Installed, 2" Slipnut Drain Kit	MWB22	5
86163	1/2" Qtr Turn CPVC Valve TM Installed, Arrester, 2" Slipnut Drain Kit	MWB27	5
86164	1/2" Qtr Turn PEX Valve, Arrester Installed, 2" Slipnut Drain Kit	MWB28	5

