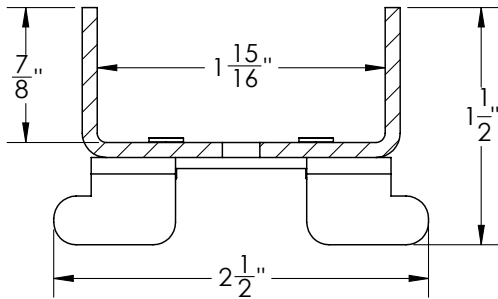


T 65 Specifications



T 65:

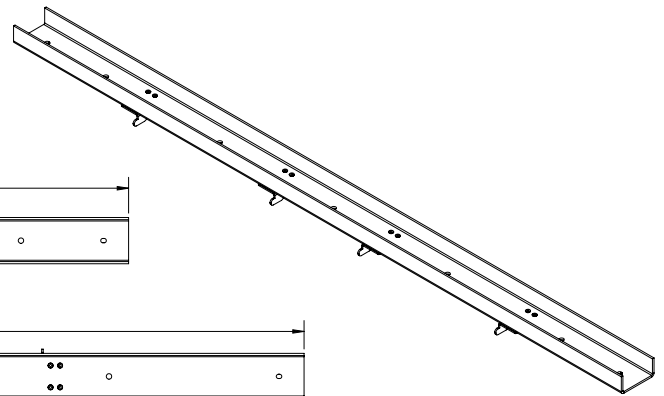
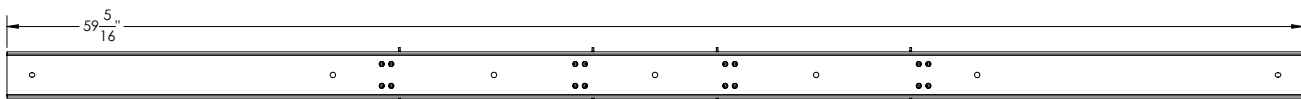
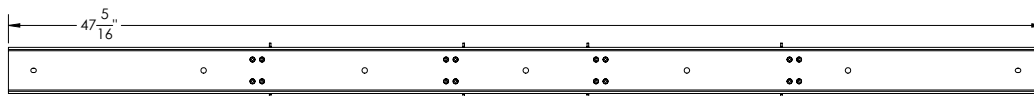
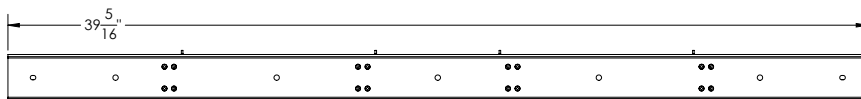
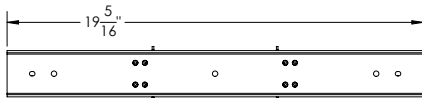
- Tile Insert Frame ONLY for S-TIF 65, S-TIFAS 65, FXTIF 65
- 12 gauge, 304L stainless steel
- Accepts flooring material up to 3/4" in thickness

Models (overall dimensions):

- T 6520: 19 5/16" L x 2 1/2" W x 1 1/2" H
- T 6540: 39 5/16" L x 2 1/2" W x 1 1/2" H
- T 6548: 47 5/16" L x 2 1/2" W x 1 1/2" H
- T 6560: 59 5/16" L x 2 1/2" W x 1 1/2" H

Finishes:

- Satin Stainless - SS
- Polished Stainless - PS
- Satin Bronze - SB
- Oil Rubbed Bronze - ORB
- Matte Black - BK



Infinity Drain
 145 Dixon Avenue
 Amityville, NY 11701
 Phone: 516.767.6786
 Fax: 516.740.3066
 www.infinitydrain.com



NOTE: Installer must verify all rough-in dimensions prior to installation and consult local and national codes. Conformity and compliance to local and national codes are the responsibility of the installer.