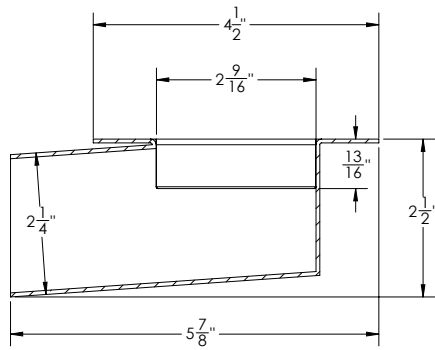


OCS 65C Specifications

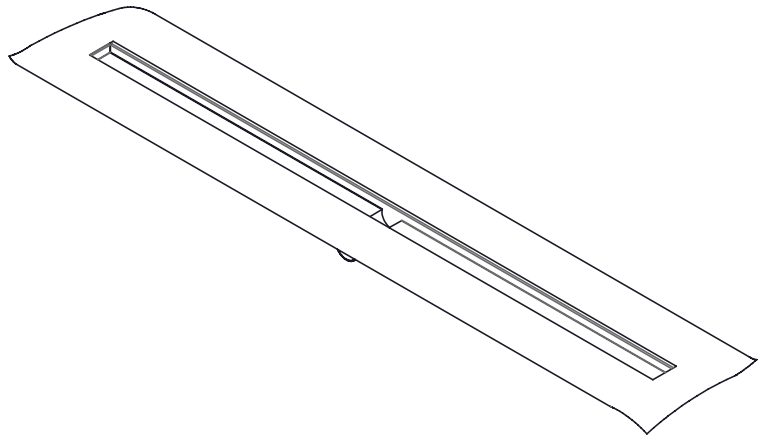
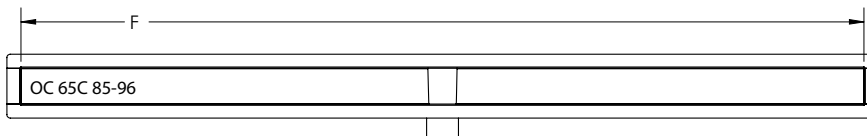
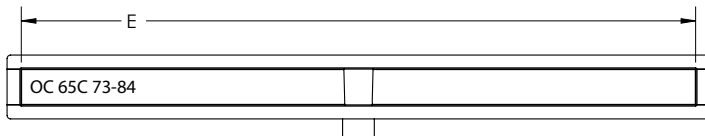
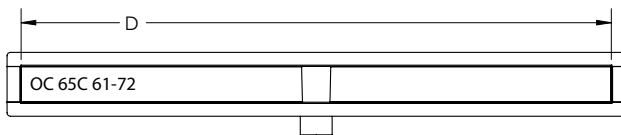
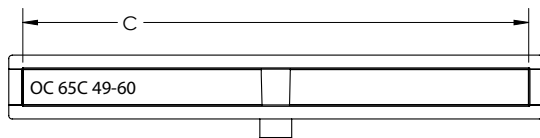
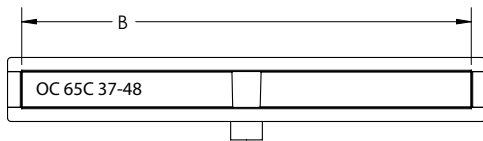
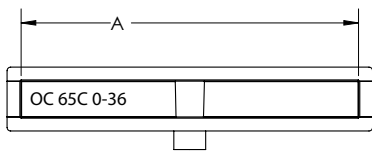


OCS 65C:

- Stainless steel flanged channel for Standard Custom
- Fixed Length NOT Site Sizable™
- FCS series linear drains are compliant with Schluter®-Kerdi shower system warranty. Warranty back by Infinity Drain.
- 16 gauge, 304L stainless steel
- 2" No-hub outlet connection via rubber coupling (not included with channel)

Models (channel dimensions):

- OCS 65C 0-36: 0 to 36-15/16" custom length (A) x 5 7/8" W x 2 1/2" H
- OCS 65C 37-48: 37" to 48-15/16" custom length (B) x 5 7/8" W x 2 1/2" H
- OCS 65C 49-60: 49" to 60-15/16" custom length (C) x 5 7/8" W x 2 1/2" H
- OCS 65C 61-72: 61" to 72-15/16" custom length (D) x 5 7/8" W x 2 1/2" H
- OCS 65C 73-84: 73" to 84-15/16" custom length (E) x 5 7/8" W x 2 1/2" H
- OCS 65C 85-96: 85" to 96" custom length (F) x 5 7/8" W x 2 1/2" H



Infinity Drain
 145 Dixon Avenue
 Amityville, NY 11701
 Phone: 516.767.6786
 Fax: 516.740.3066
 www.infinitydrain.com



NOTE: Installer must verify all rough-in dimensions prior to installation and consult local and national codes. Conformity and compliance to local and national codes are the responsibility of the installer.