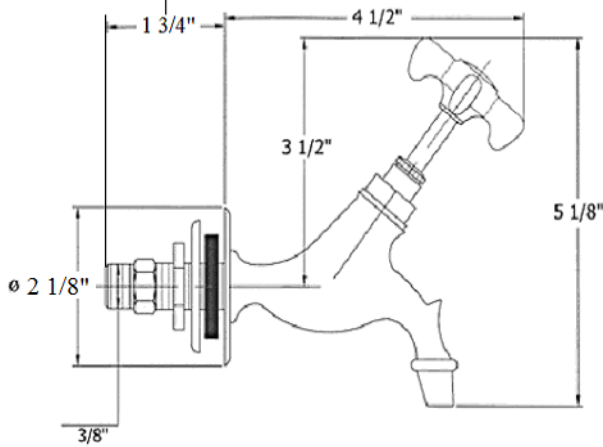


# 2113 - 'Retro Tap' Wall Mounted

WITHOUT 3/8" ADAPTOR, THREADED STEM IS 1 1/16" IN LENGTH.



## Technical Information

- NSF / ANSI 61 & 372 / ASME A112.18.1 / CSA B125.1 / CEC AB1953 / WATERSENSE Certified.
- ¼ Turn Ceramic Flühs Cartridge.
- Maximum Flow Rate is 1.2 GPM with New Low Flow Restrictor.
- 3/8" Male Adaptor.
- For Hot or Cold Water Only – 2113 is Not a Mixer.
- Available Finishes are French Weathered Brass(47), Polished Chrome(48), SoliBrass(49), Lacquered Matte Black Nickel(50), Old Gold(52), Old Silver(53), Polished Brass(55), Polished Nickel(56), Brushed Nickel(57), Satin Nickel(60), Antique Lacquered Copper(67), Antique Lacquered Brass(68), Weathered Brass(70), Lacquered Polished Black Nickel(71) and Lacquered Polished Copper(80).
- Please See Cleaning Instructions:  
<http://herbeau.com/CleaningAll.pdf> For Finish Care and Maintenance Instructions.

Part #	Description
01	Adapter F3/8" X M3/8" NPT
02	3/8" Washer
03	Nut
04	Metal Ring & Rubber Washer
06	Flat Rubber Washer
07	Wall Escutcheon
08	2013 New Retro Body
09	Rubber O-Ring
10	Verseuse Aerator
11	2013 Aerator For Wall Retro
12	¼ Turn Ceramic Cartridge
13	Retro Cartridge Cover
14	Cross Handle Stem
15	Cross Handle
16	Washer
17	Brass Handle Screw
18	Rubber O-Ring
19	Finished Insert Holder
20	Black Logo Ceramic Insert
22	Low Flow Restrictor
90	Royale Finished Ceramic Insert



C US

U.P. Code  
NSF-61/9-G  
ASME A112.18.1/CSA B125.1



Certified by  
NSF International

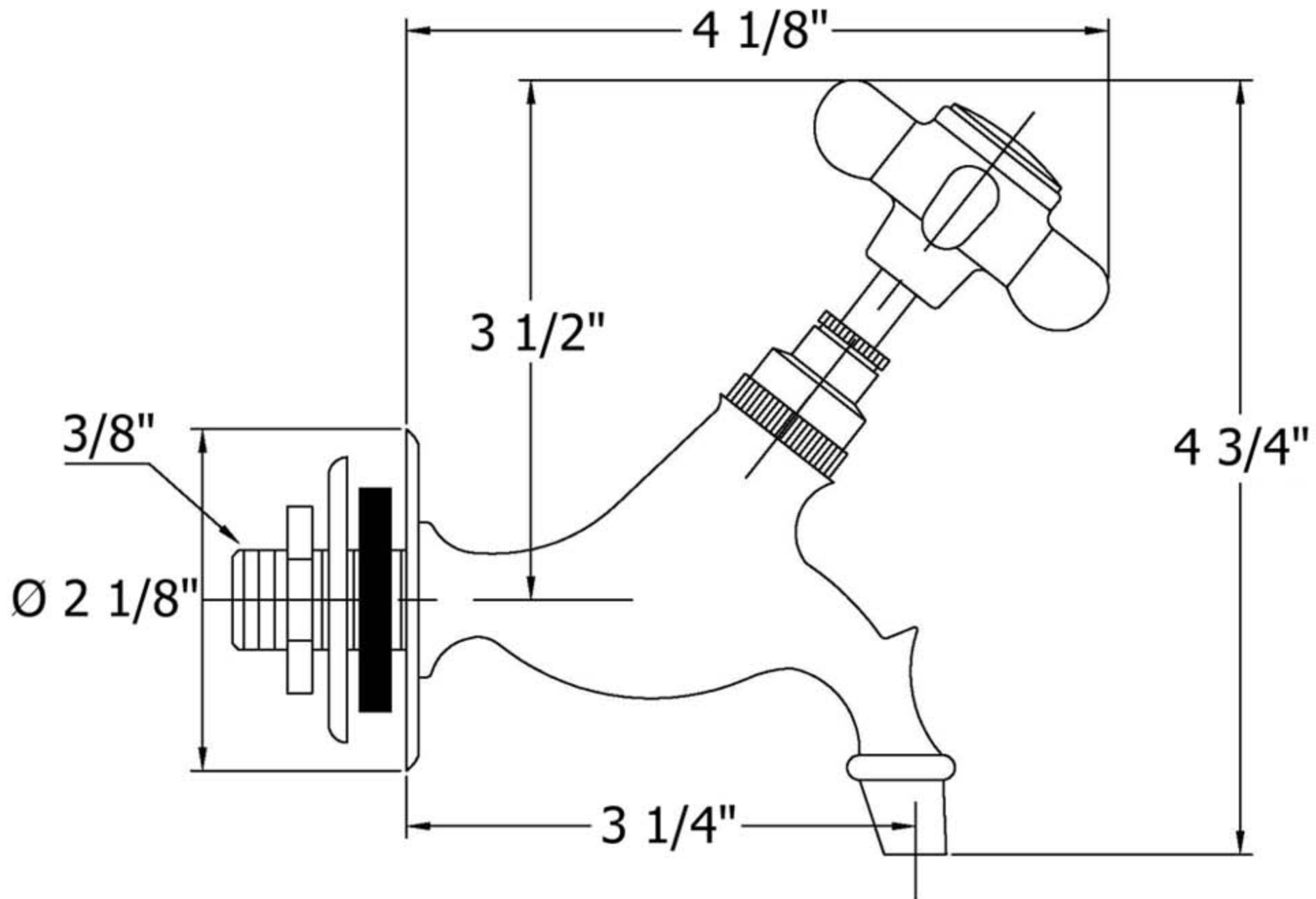
Please follow example when ordering parts for 'Retro Tap' Wall Mounted

- To order part #15 – Cross Handle
  - 950064xx
- Please substitute finish number needed in place of xx



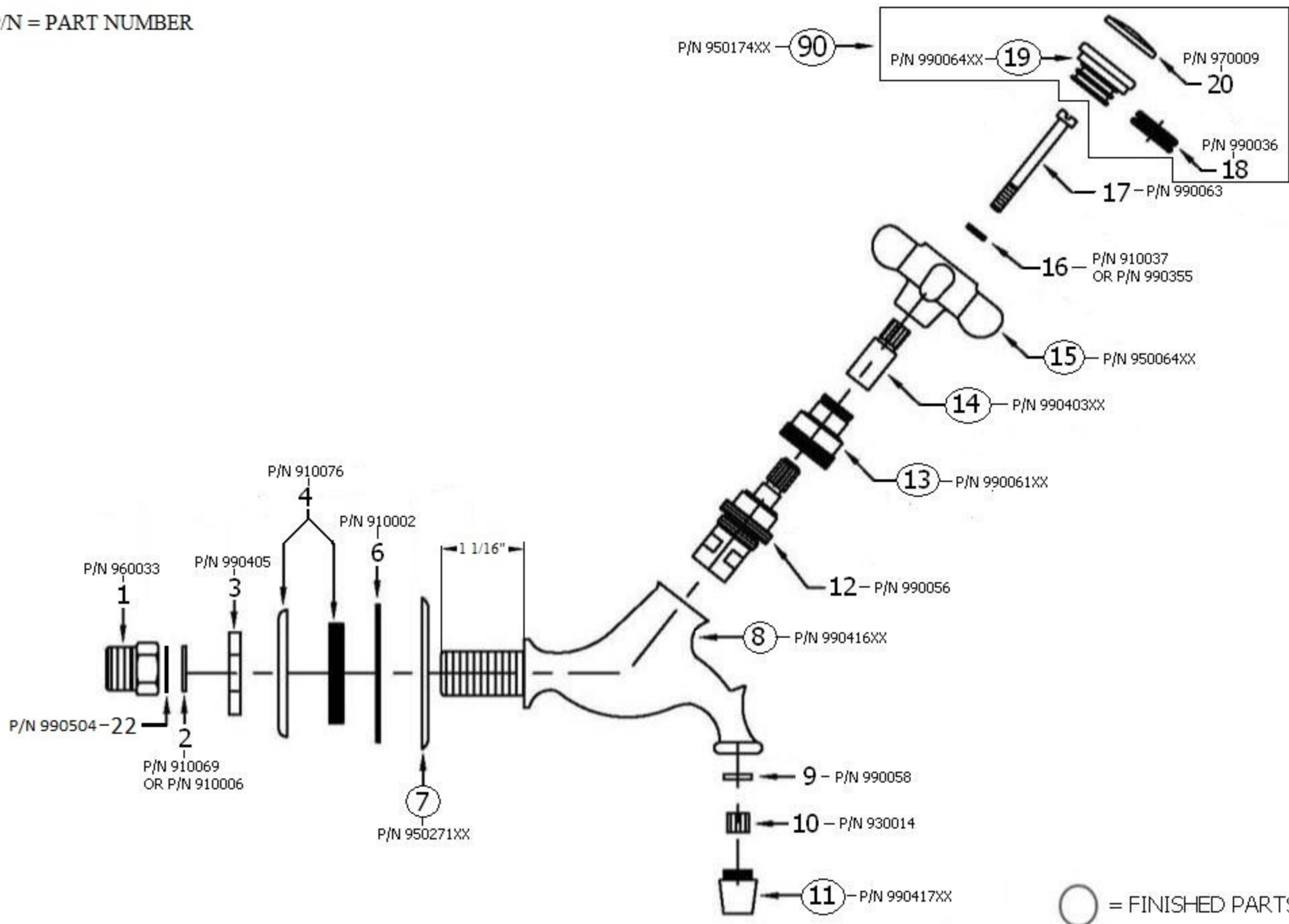
Herbeau®  
L'Art du Sanitaire depuis 1857

# 2113 - "Retro Tap" Wall Mounted - "Updated 2009"



# 2113 - "Retro Tap" Wall Mounted

\*P/N = PART NUMBER



○ = FINISHED PARTS  
 XX = TWO DIGIT FINISH CODE