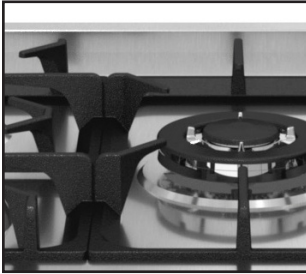


# Foster Rangetops

Professionale Rangetop 5B - 36" x 27" - **3169 900**

## HIGHLIGHTS



**Performance and practicality.**  
The weighty enamelled cast iron grid has extraordinary dimensions, with a working surface up to 50% bigger compared to a normal domestic cooker hob.



**Burners.**  
The state-of-art european technology: high efficiency, power and precise control. The triple crown burner allows high temperatures thanks to three crowns of fire.



**Metal Knobs.**  
Exclusive and original the Foster metal knobs are an example of the strength and quality of the materials used. A distinctive feature shared by all the Foster elements in this collection, to form an elegant uniformity in the kitchen.



**Safe Cooking.**  
All Foster cooker hobs are equipped with safety valves. These shut off the gas supply very quickly if the flame accidentally goes out. The utmost freedom of movement it is guaranteed by the electronic under knob ignition that allows a one-hand movement.

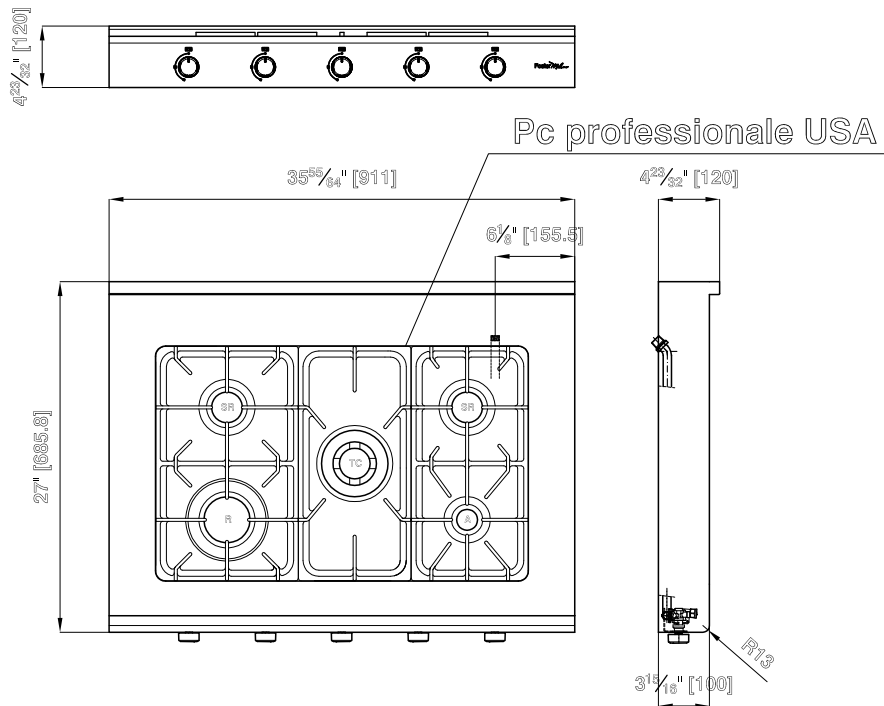


Model	Professionale Rangetop 5B - 36x27
Dimensions	35 55/64" x 27"
Maintop	AISI 304 Stainless Steel
Finish	Satin Finish
Grids	Enamelled cast iron
Hob controls	Knobs
Knobs	solid Metal
Safety	Safety valves
Total power	31,600 Btu/h
Burners	5
Triple Crown	11.000 Btu/h
rapid	7.600 Btu/h
semirapid	5.100 Btu/h
auxiliary	2.800 Btu/h
Simmer ring	1
Simmer Rate	900 Btu/h
<b>Technical requirments</b>	
Electrical supply	120V 60Hz
Gas std setting	Natural Gas
LP Gas conversion	kit for all burners included
<b>Optional accessories</b>	Cast iron wok support
<b>Certifications</b>	
	<b>CSA certified for US &amp; Canada</b>

# Foster Cooktops

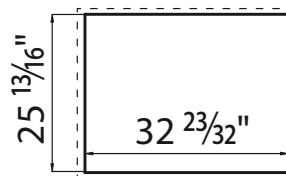
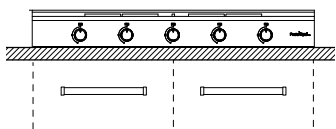
Professionale Rangetop 5B - 36" x 27" - **3169 900**

## DIMENSIONS



## CUT-OUT

Cut-out for top-mount installation



Scheme for installation on the cabinet

