

Foster Sinks

Leonardo 1B 20" UM - **1013 660**

HIGHLIGHTS



Foster Brushed finish

The exclusive finishes are the result of diligent research, the aim being to achieve the perfect combination between good looks and functionality. A distinctive feature, a true trademark that makes our products stand out for the ease with which they can be cleaned.



Diamond shaped bottom

The water drainage on the base of the sink is a minimalist but original design, with perfectly square edges and a diamond shaped bottom, that allows perfect flow of water.



3 different levels

Leonardo sink has an ingenious design that makes it simple to use a large set of optional accessories. Thanks to the three supporting steps the accessories rest on different levels.



First supporting step

On the first supporting step, the topmost one, the innovative Black grids slides. Once the preparations are complete, the grids can be used to completely close the sink, hiding the bowls and ensuring a perfect order in the kitchen.



Second supporting step

It is meant to support and allow the sliding of a complete combination of accessories, which make some operation practical and safe. Everything can be done inside the sink, avoiding ruining or staining the surface of yours kitchen.



Third supporting step

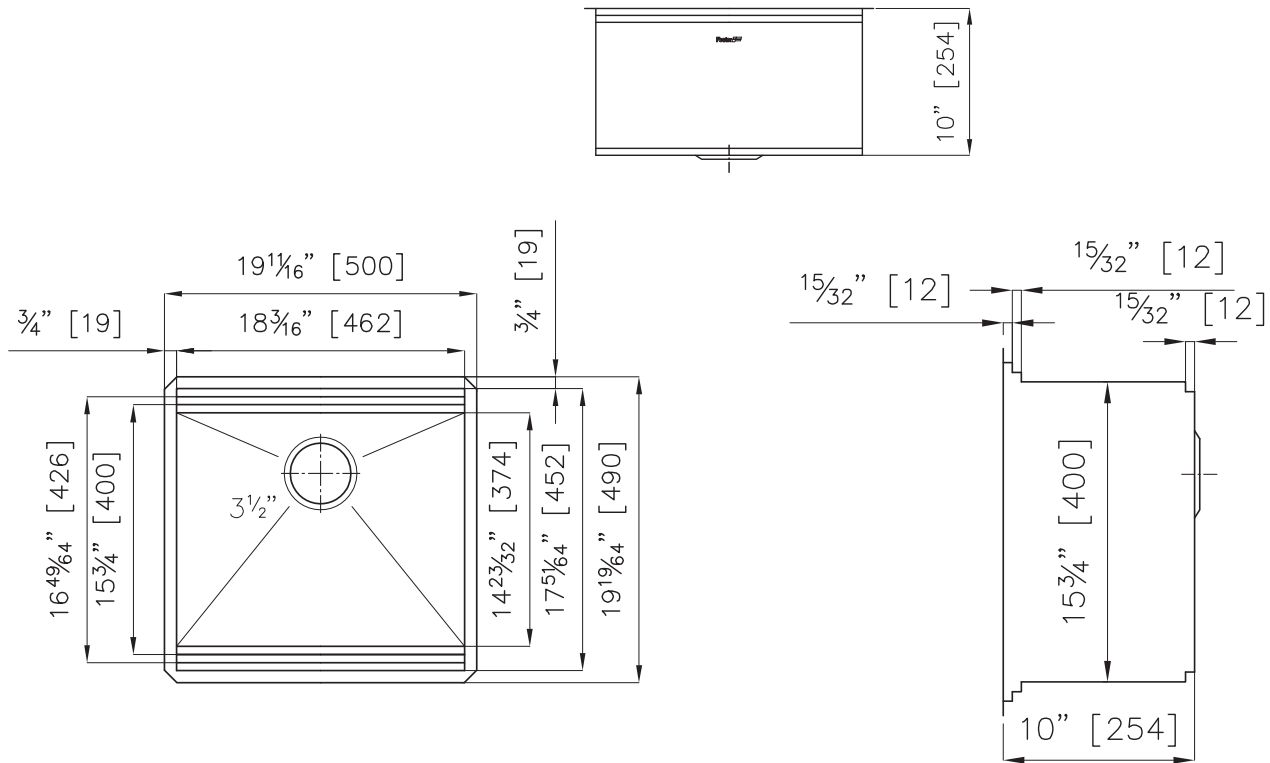
It is on the bottom of the quadra bowl. On this step rest the Black grids when placed on the bottom of the bowl. They can also support pots and dishes, preventing the scratching of the steel surface of the sink underneath.

Series	Leonardo
Model	Leonardo 1B 20" UM
material	AISI 304 stainless steel
finish	Satin finish
thickness	16 Gauge (1,5 mm)
Inset type	undermount
overall dimensions	19 11/16" 19 19/64"
bowls dimensions	1 bowl 18 3/16" x 15 3/4"
bowls dept	10"
Cut out	18 3/16" x 17 51/64"
waste fitting type	3/2" - with stainless steel basket
bowls bottom	x cross bending for easy water draining
Underside	protected with heavy duty undercoating
fixing system	protected with heavy duty undercoating
Accessories:	M6, P3, N2, O2, N3, P2*, T2*, Z2*
accessories note	to use only with N3 chopping board
cut-out template	included in the package

Foster Sinks

Leonardo 1B 20" UM - **1013 660**

DIMENSIONS



CUT OUT



ACCESSORIES



M6
chopping board



P3
Black grid



L4
Glass chopping board



N3
HDPE twin chopping board



P2
Grating kit, with ring support and food collection tray



T2
Stainless steel dishes holder



Z2
Stainless steel perforated pan



PS
Automatic drain