



OAK HILL™

LAVATORY WALL MOUNT FAUCET



- Designed with external waterways and traditional two handle and spout configuration
- Can be installed as a wall mount or lavatory mount faucet
- Ceramic disc valve cartridge
- Cast brass spout
- Maximum flow rate: 1.5 gpm (5.7 L/min)
- Low flow rate: 1.2 gpm (4.5 L/min)
- Lead Free - faucet contains $\leq 0.25\%$ total lead content by weighted volume

CODES AND STANDARDS

Meets or Exceeds ASME A112.18.1/
CSA B125.1/NSF 61/Section 9

Certified Compliant with 0.25% Weighted
Average Lead Content Regulations

AVAILABLE FINISHES

Polished Chrome
Brushed Nickel
Platinum Nickel
Satin Brass*

FINISH CODE

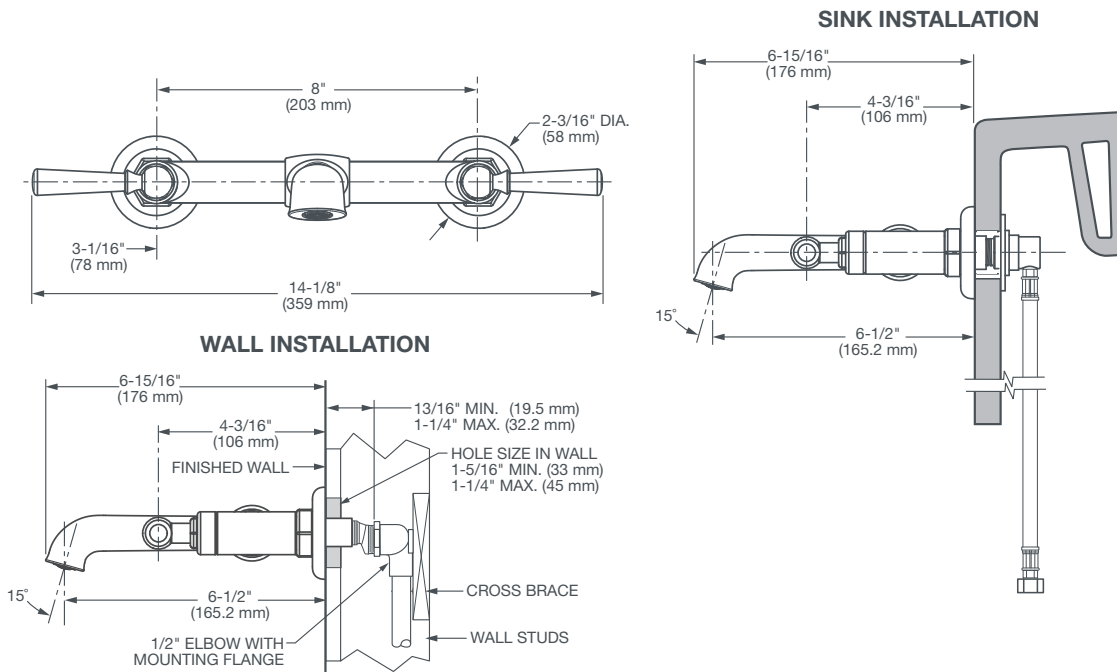
100
144
150
427

DESCRIPTION

1.5 gpm (5.7 L/min)
Wall Mount Faucet
1.2 gpm (4.5 L/min)
Wall Mount Faucet

PRODUCT NUMBER

D35155450.XXX
D3515545C.XXX



IMPORTANT: These measurements are subject to change or cancellation.
No responsibility is assumed for use of superseded or voided pages.

PART OF LIXIL

©2017 AS America Inc.

Revised 2/17



Meets the Americans with Disabilities Act
Guidelines and ANSI A117.1 Requirements
for the physically challenged.

www.DXV.com